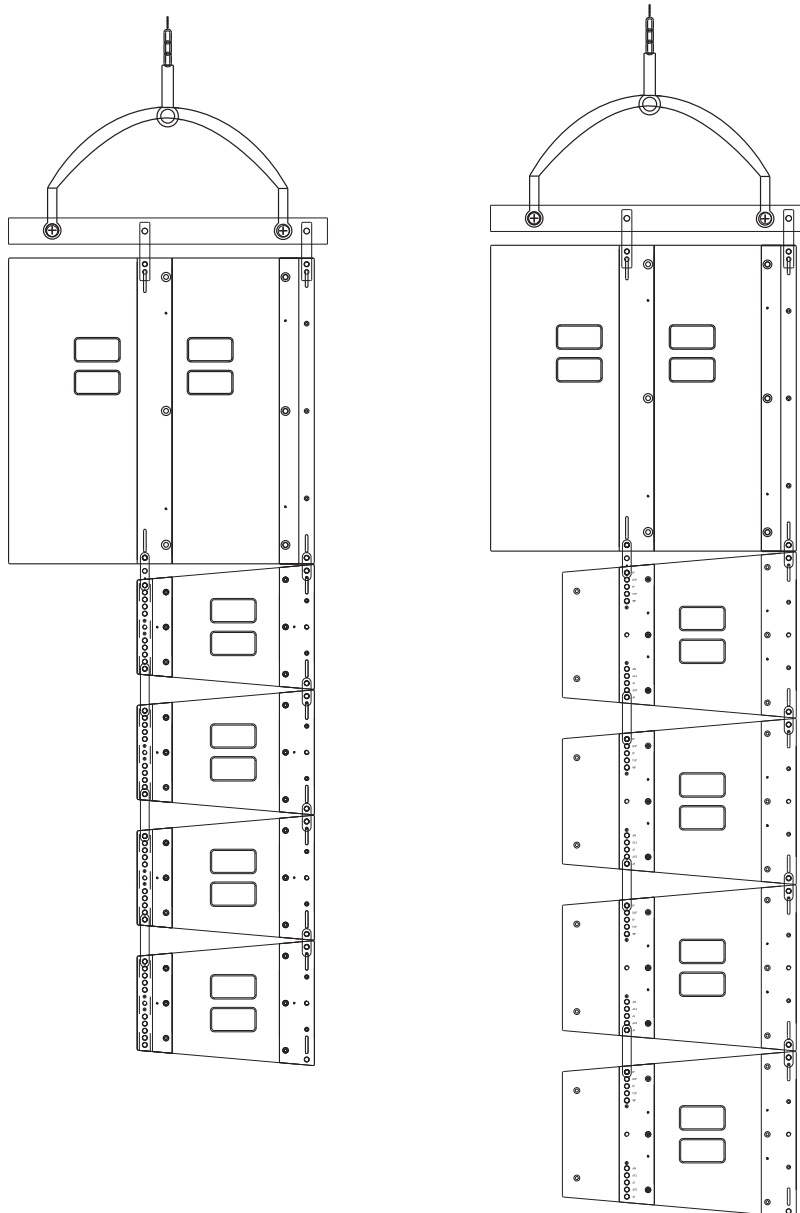


## Manual



# Contents

1. Safety warning.....	1
2. Introduction.....	1
3. Product feature .....	1
4. Power amplifier back panel function description.....	2-3
5. Cabinet structure size description.....	4
6. Installation description1.....	5-7
7. Installation description2/3.....	8
8. Technical parameter .....	9





---

---

# 1. Safety warning

---

## Safety warning

	The lightning bolt on the rocket head warns you that there is uninsulated dangerous voltage inside the shell - enough voltage to cause an electric shock.		<b>Attention</b> <b>To avoid electric shock, do not open</b>	
	The exclamation point is a warning to you that there are important operating and maintenance instructions on the attached page. Please refer to the operating manual.	Caution: To avoid electric shock, do not open the case and do not attempt to repair it yourself. Please entrust qualified maintenance personnel to repair it.		

## 2. Introduction

---

1. First Audio Manufacturing (Guangzhou) Ltd. is an international comprehensive audio enterprise integrating "research and development, creation and sales" of digital cinema audio, professional stage audio, karaoke audio system, public broadcasting system and home theater system.
2. FIDEK was founded in 1981. The headquarters of FIDEK International Industrial Group is located in Hong Kong. It is responsible for overseas business and has a modern garden-style industrial park of 92,000 square meters in China. After 40 years of vigorous development, its market strategy has always adhered to the research and development and manufacturing of global cutting-edge audio products. We will continue to innovate and surpass, and make unremitting efforts to create the beautiful legend of Chinese audio brands.
3. The FLS-832H passive two-division small linear array series speaker, launched by First Audio Manufacturing (Guangzhou) Ltd. in 2021, is composed of 8 2.5-inch mid woofers and 8 1" ball top tweeters. All units are made of Ndfcb magnetic circuit, so that the weight is very light and high sensitivity, high sound pressure, applicability, practicability, safety are optimized.
4. FLS-832H passive linear array series sound system, suitable for meeting rooms, bars, auditorium, indoor stadium, mobile performance and other places. The system assembly and hanging is very convenient, everywhere can reflect the humanized design concept.

## 3. Product feature

---

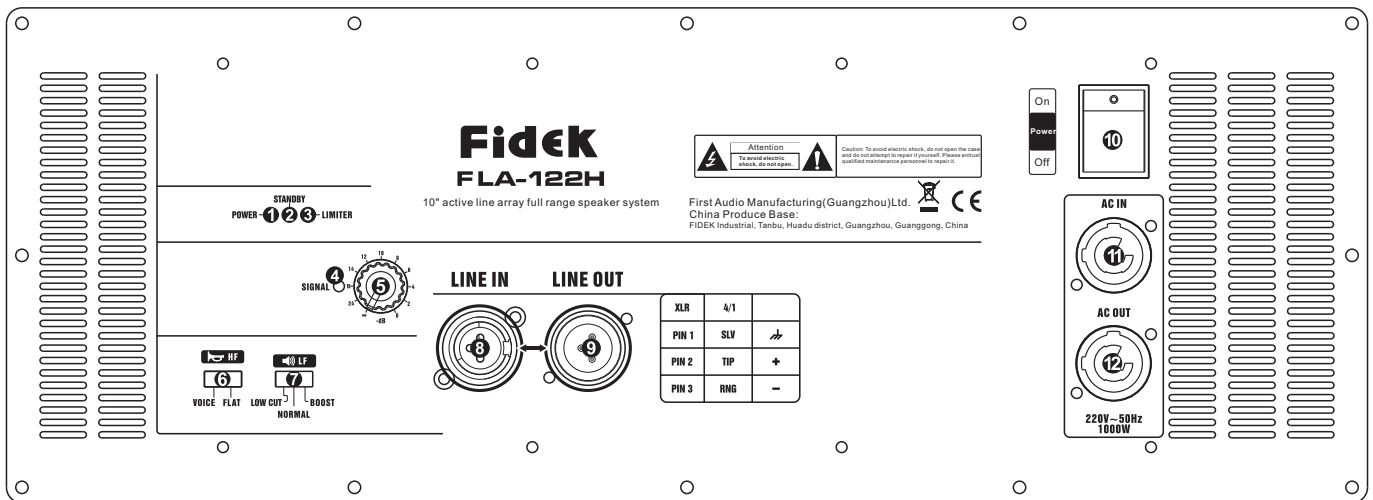
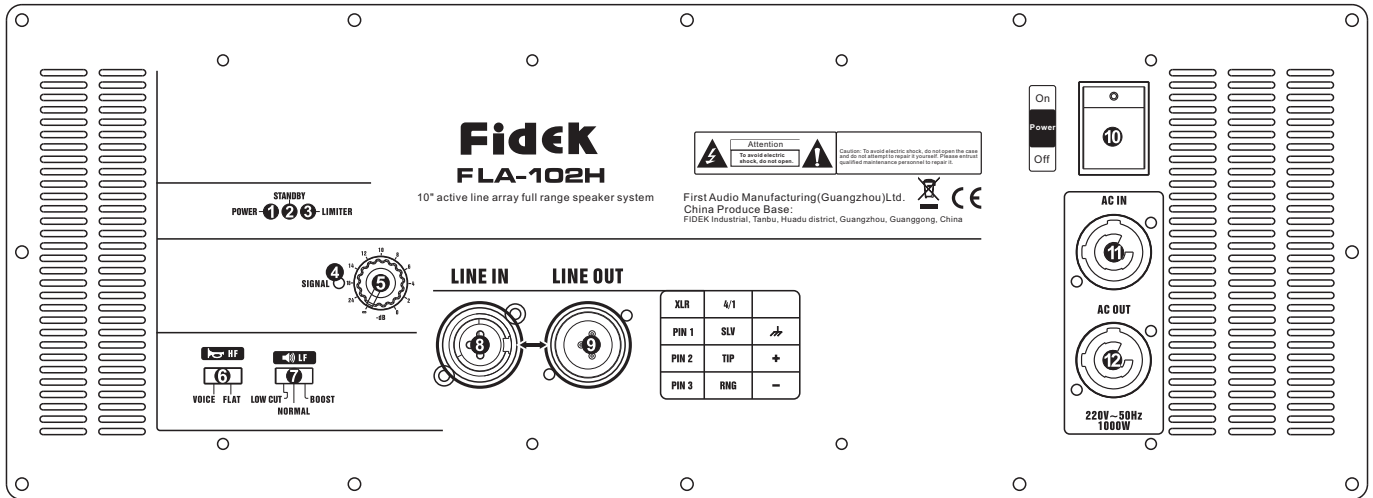
### FLA-102H/FLA-118B

1. The appearance of the box is hard and professional.
2. Horns using wavefront correction techniques.
3. Use poplar plywood wooden boxes.
4. The outer surface of the box is sprayed with wear-resistant and waterproof paint.
5. Polymer polyester sound film made of imported materials.
6. Imported bass basin.
7. Adopt one 63 core 10" neodymium magnetic bass and 2 1.75" neodymium magnetic treble.
8. The subwoofer uses a 100 core 220 magnetic 18" unit.
9. Use built-in power amplifier with DSP technology.

### FLA-122H/FLA-118B

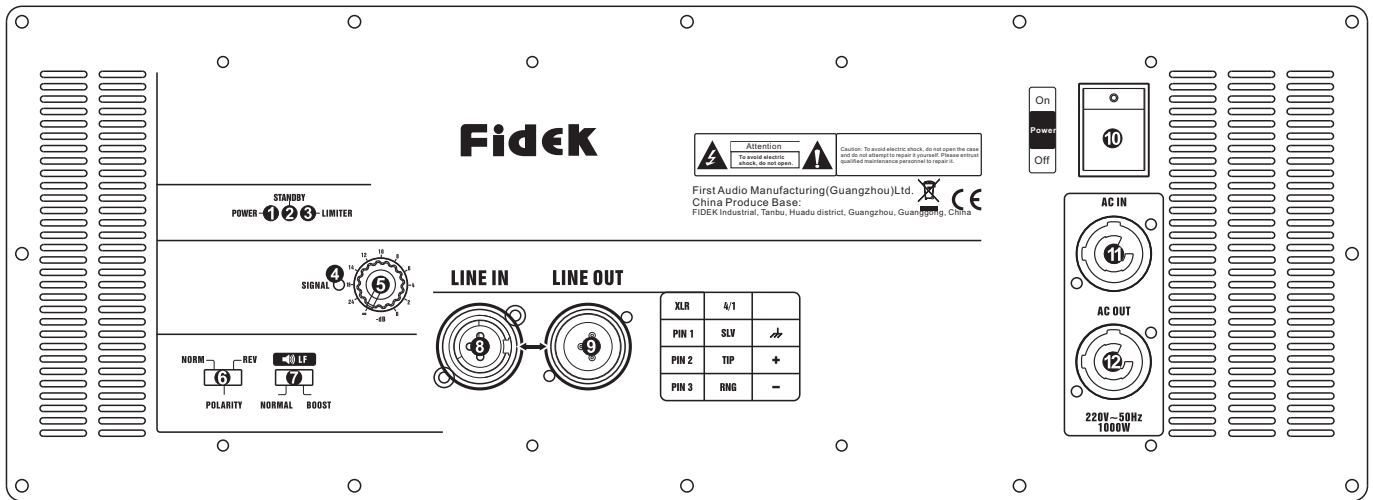
1. The appearance of the box is hard and professional.
2. Horns using wavefront correction techniques.
3. Use poplar plywood wooden boxes.
4. The outer surface of the box is sprayed with wear-resistant and waterproof paint.
5. Adopt high polymer polyester film imported from Korea.
6. Use American bass basin
7. Adopt one 63 core 12" neodymium magnetic bass and two 1.75" neodymium magnetic treble.
8. The subwoofer uses a 100 core 220 magnetic 18" unit.
9. Use built-in power amplifier with DSP technology.

## 4. Power amplifier back panel function description



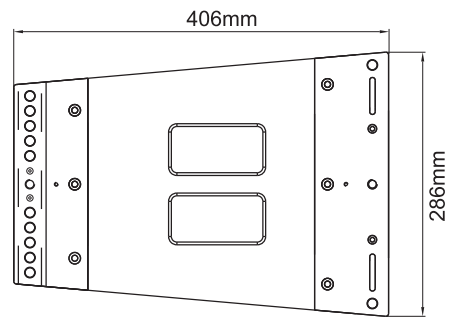
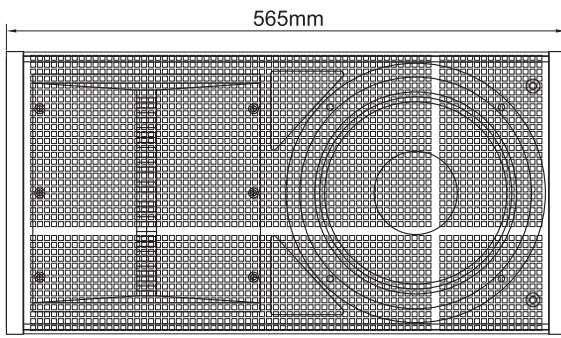
1. Power indicator
2. Standby indicator light: a few minutes after the power amplifier is turned on, no signal input will enter the standby state, standby indicator light on.
3. Limiting indicator light: when the signal output reaches the maximum, the rigid clipping distortion will be limited amplitude function and the limiting indicator light is on.
4. Signal indicator light: the signal indicator light is on when there is signal input.
5. Gain knob: control line input signal gain.
6. High frequency equalization :FLAT(standard) setting /VOICE(high frequency extension) setting.
7. LOW frequency equalization :NORMAL(standard) setting /BOOST(low frequency expansion) setting /LOW CUT setting.
8. LINE input: Connect the signal source (XLR male plug /6.3 plug) to the LINE IN on the amplifier.
9. LINE output: audio ring connection LINE OUT can connect the audio ring to the next amplifier LINE IN.
10. Power switch: the function of the power switch is to open and close the power supply of the power amplifier. When placed in the ON position, the switch is turned on, and when placed in the OFF position, the switch is turned off.
11. power input socket: input power for AC 220V~50Hz.
12. power output socket: this socket is convenient to use when circulating connection working state.

## 4. Power amplifier back panel function description

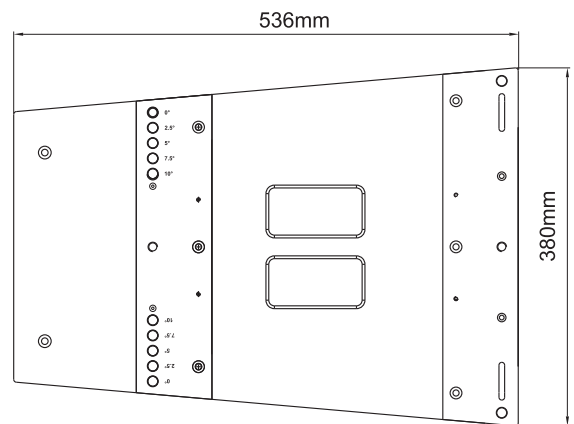
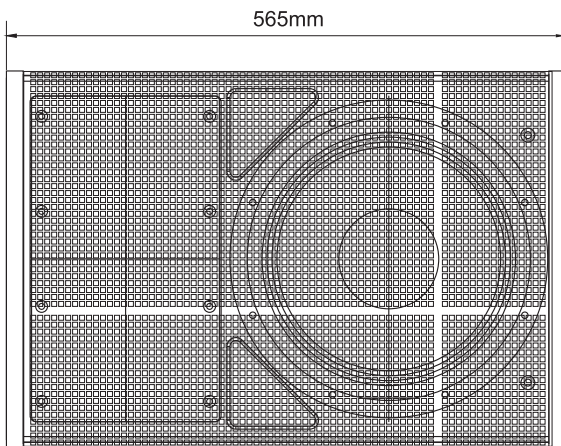


1. Power indicator.
2. Standby indicator light: a few minutes after the power amplifier is turned on, no signal input will enter the standby state, standby indicator light on.
3. Limiting indicator light: when the signal output reaches the maximum, the rigid clipping distortion will be limited amplitude function and the limiting indicator light is on.
4. Signal indicator light: the signal indicator light is on when there is signal input.
5. Gain knob: control line input signal gain.
6. Phase setting :NORM setting /REV setting.
7. Low-frequency equalization :NORMAL(standard) setting /BOOST(low-frequency expansion) setting.
8. LINE input: Connect the signal source (XLR male plug /6.3 plug) to the LINE IN on the amplifier.
9. LINE output: audio ring connection LINE OUT can connect the audio ring to the next amplifier LINE IN.
10. Power switch: the function of the power switch is to open and close the power supply of the power amplifier. When placed in the ON position, the switch is turned on, and when placed in the OFF position, the switch is turned off.
11. Power input socket: input power for AC 220V~50Hz.
12. Power output socket: this socket is convenient to use when circulating connection working state.

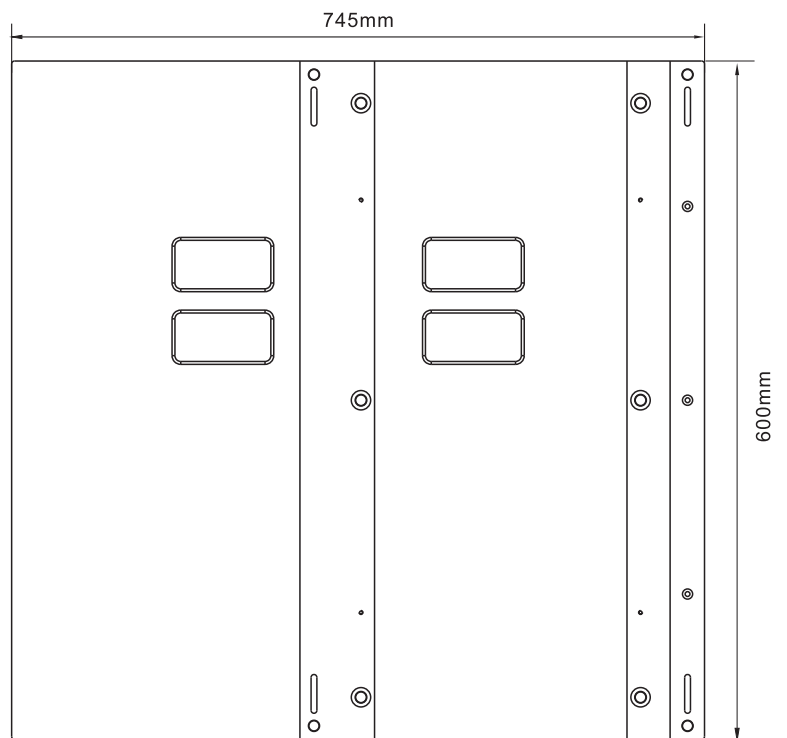
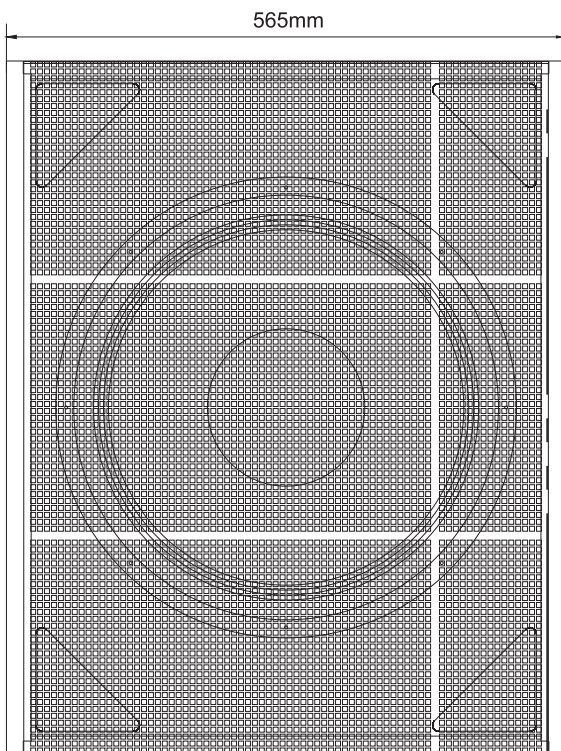
## 5. Cabinet structure size description



FLA-102H cabinet structure and size diagram



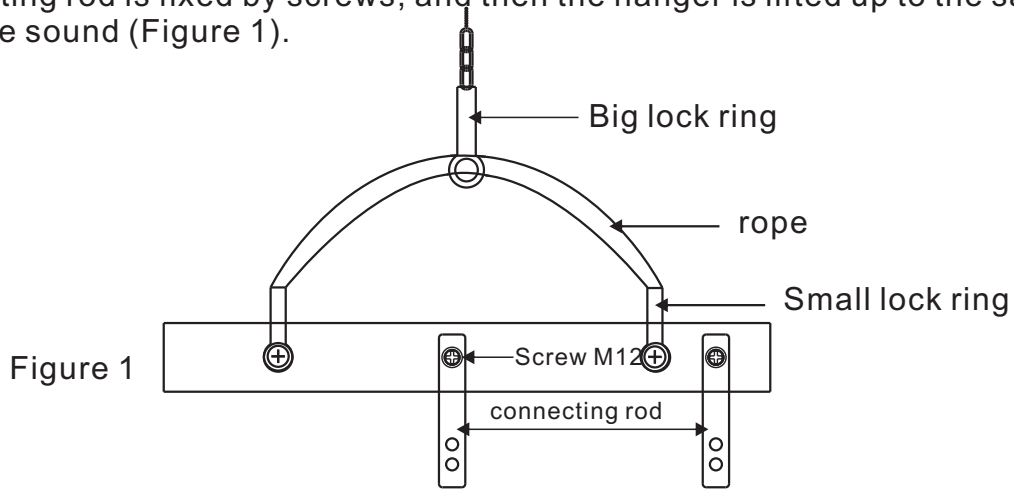
FLA-122H cabinet structure and size diagram



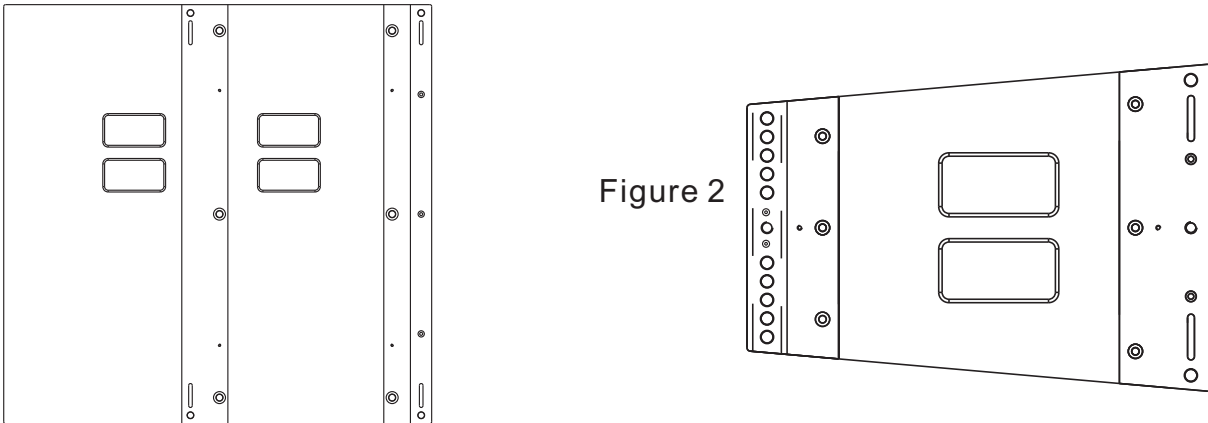
FLA-118B cabinet structure and size diagram

## 6. Installation description 1

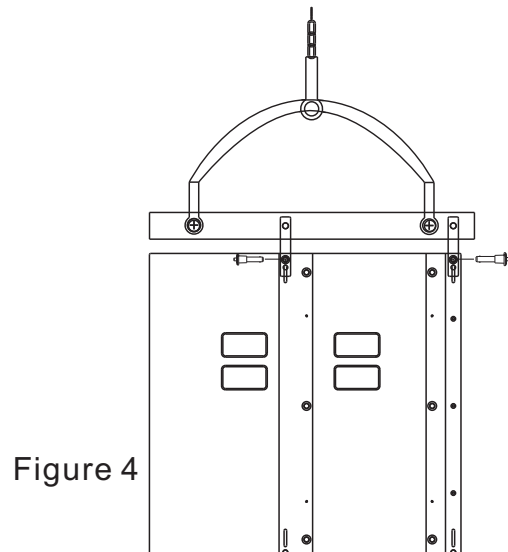
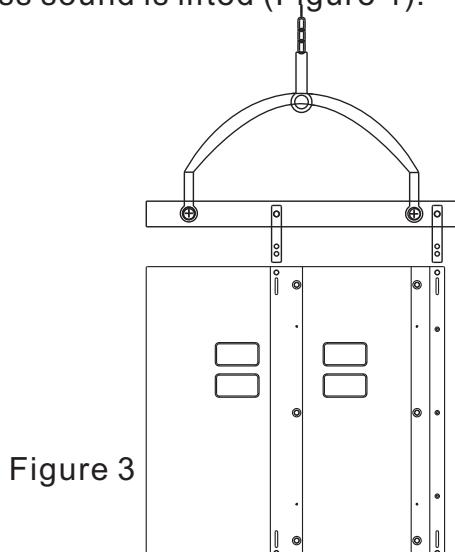
Step 1: Load the lock ring, rope and connecting rod into the top hanger.  
The connecting rod is fixed by screws, and then the hanger is lifted up to the same height as the sound (Figure 1).



Step 2: Two people work together to lift the stereo out of the carton :(Figure 2)



Step 3: Put the sound under the hanger that has been hoisted (Figure 3);  
Step 4: After the lifting front lifting hole and the lifting hole of the front lifting part are matched OK, the front end bolt is inserted horizontally into the lifting hole, and then the back end bolt is inserted horizontally into the lifting hole, so that the first bass sound is lifted (Figure 4):



# 6. Installation description 1

Step 5: Lift the subwoofer to an appropriate height, and then load the connecting rod into the lower part of the box with the bolt (Figure 5)

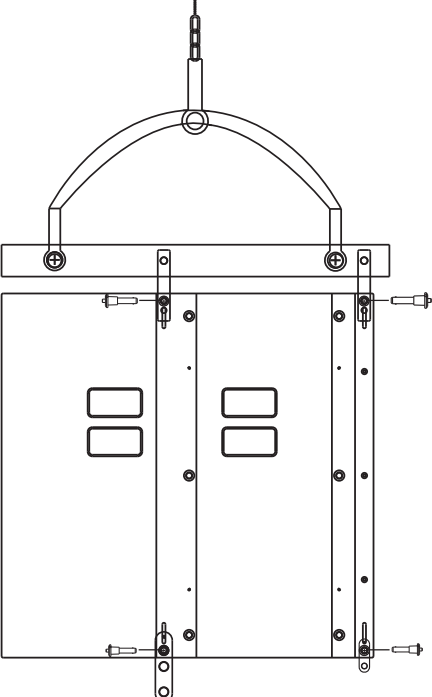


Figure 5

Step 6: Raise the hanger in the original position by about 300mm, and then put the main box under the bass box (as shown in Figure 6);

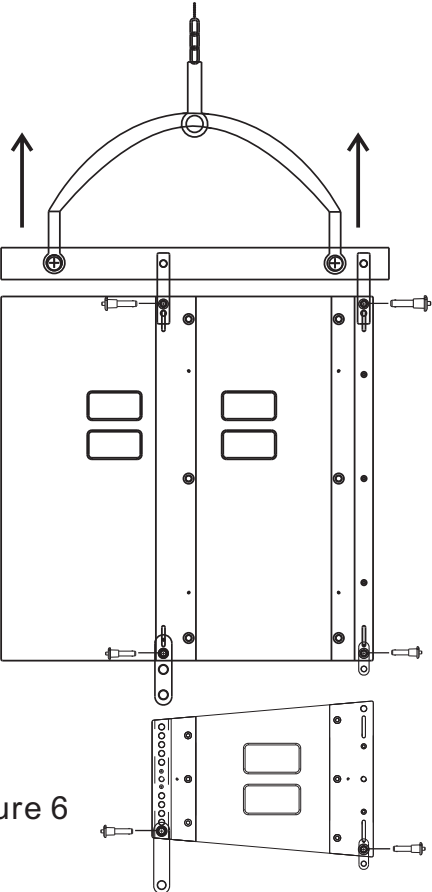


Figure 6



## 6. Installation description 1

---

Step 7: After matching the lifting hole of the front end with OK, insert the front-end bolt horizontally into the lifting hole, and then insert the bolt after matching the lifting hole of the back end with OK (as shown in Figure 7).

Step 8: Repeat the above steps to complete the lifting of the whole set of speakers (Figure 8).

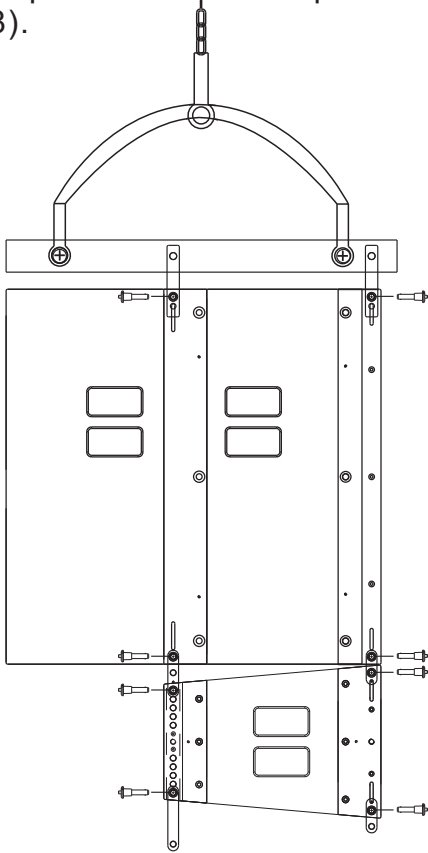


Figure 7

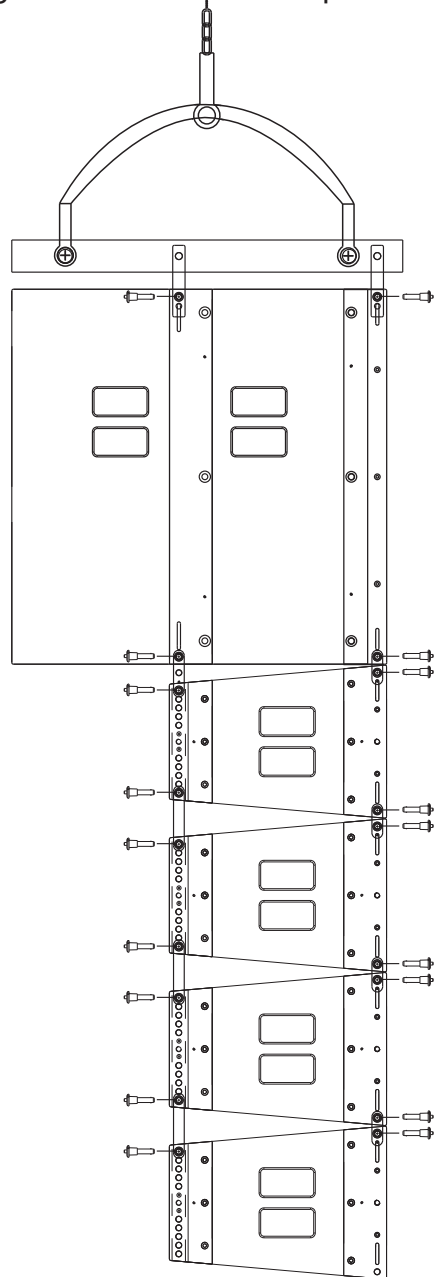


Figure 8

## 7. Installation description 2/3

1. Lift the first main box (with the boom facing down), insert the front and rear booms into the front and rear booms of the subwoofer, and then secure them with bolt: (Figure 1)
2. Insert the front and rear booms of the second main box into the front and rear booms of the first main box, then fix them with bolt respectively, and assemble the remaining speakers accordingly; (Figure 1)

**Note: The main box can use up to 4 pieces;**

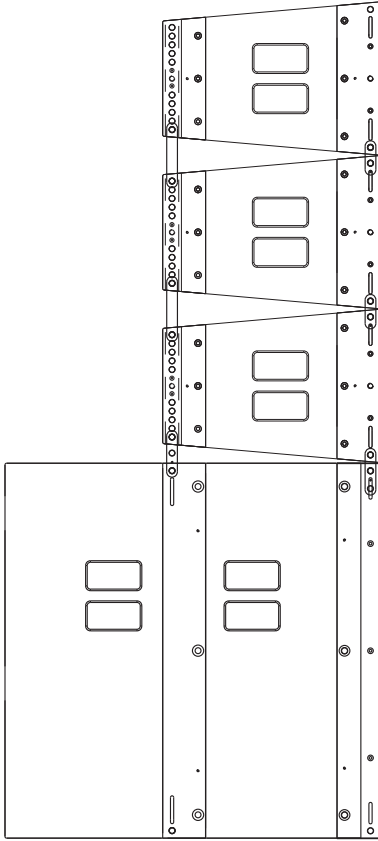
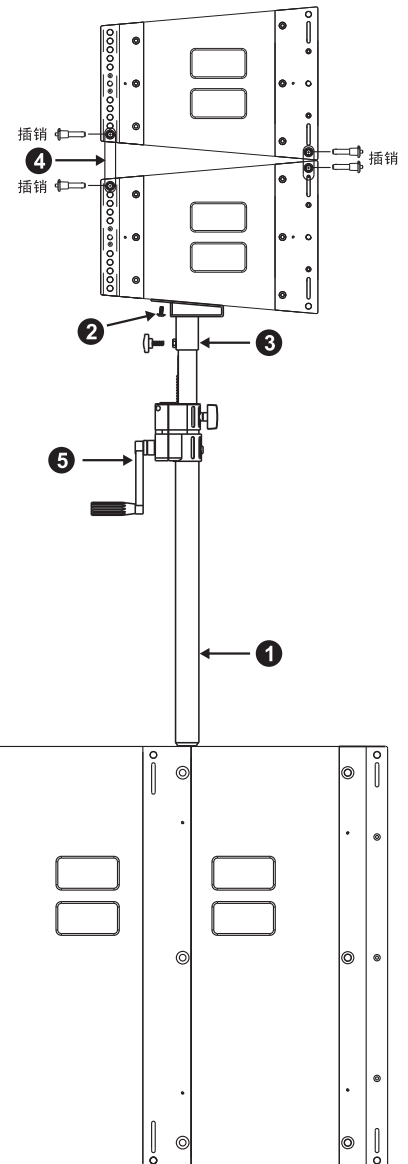


Figure 1



Picture 2

1. Fix the telescopic bracket in the top hole of the subwoofer: (Picture 2)
2. First remove the 4 screws at the bottom of the main box, and then use the 4 supplied PWM6X25 screws to lock the bracket at the bottom of the main box: (Picture 2)
3. Insert the bracket hole of the main box into the top rod of the telescopic bracket, screw on the supplied M8x20 screws, and fix the main box on the telescopic bracket. (Picture 2)
4. The radiation angle of the second speaker can be adjusted through the rear boom. (Picture 2)
5. The height of the main box can be effectively adjusted through the support rod. (Picture 2)

**Note: Use up to 2 main boxes;**

Note: There are reserved caster mounting holes at the bottom of the subwoofer. If necessary, additional casters can be purchased for easy movement.

## 8. Technical parameter

**Model:**

**FLA-102H**

Unit configuration	Bass: 1*10" Treble: 2*1.75"
Frequency response	60~20KHz
Impedance	8 ohm
Sensitivity	99dB
Peak power	1500W
Maximum sound pressure level	131dB
Directivity	Horizontal: 100° Vertical: 12°
Input	NL4R Speakon
Hanging angle	0°, 2.5°, 5°, 7.5°, 10°

**Model:**

**FLA-122H**

Unit configuration	Bass: 1*12" Treble: 2*1.75"
Frequency response	50~20KHz
Impedance	8 ohm
Sensitivity	101dB
Peak power	1800W
Maximum sound pressure level	133dB
Directivity	Horizontal: 100° Vertical: 12°
Input	NL4R Speakon
Hanging angle	0°, 2.5°, 5°, 7.5°, 10°

**Model:**

**FLA-118B**

Unit configuration	Bass: 1*18"
Frequency response	40~500Hz
Impedance	8 ohm
Sensitivity	101dB
Peak power	3200W
Maximum sound pressure level	134dB
Input	NL4R Speakon

Hanging parts	Top steel frame (1 piece/group)
	Thousand wire rope (2 pieces/group)
	Large U-shaped buckle (1pcs/group), small U-shaped buckle (4pcs/group)
	HM12X50 screw/M12 nut (4pcs each/set)
	Φ12 Spring pad/ Φ12Flat mat (4pcs/set each)

Note: The lifting parts are not accessories. If you need these lifting parts, please contact the dealer to purchase them.

Note: Product parameters are subject to change without prior notice.

## First Audio Manufacturing (GuangZhou) Ltd.

If you have any questions, suggestions or complaints, please contact our customer service department.

Toll-free service hotline: 8008303013

400 customer service hotline: 4008308282

Website: [www.fidek.com.cn](http://www.fidek.com.cn)

No responsibility is assumed for the correctness of the information in this document. The possibility of technical changes, typographical errors and ongoing product upgrades is reserved.



微信二维码

Copyright 2021©. No part or all of this instruction manual may be reproduced or copied without the prior written permission of First Audio Manufacturing(Guangzhou) Ltd.

Please fill out and keep your warranty card properly, we will provide you with high-quality after-sales service! (If there is any discrepancy between the product information and the actual product, please refer to the actual product. As the product is constantly being improved and upgraded, no further notice will be given when the specifications and design are changed)

Hong Kong Office  
中国（香港）公司  
Flat 1-4, 3/F, Block A, Wing Kut Industrial Building  
608 Castle Peak Road, Kowloon Hong Kong.  
香港九龙青山道608号荣吉工业大厦A座三楼1-4室  
Tel: (852) 2741 1491 (8 Lines)  
Fax: (852) 2786 4012, 2744 5988

China Office  
中国（内地）公司  
Tan Bu Fidek Industrial Zone,  
Hua DU, Guangzhou, China  
广州市花都区炭步飞达工业园  
Tel: (020) 8674 1888 (16 Lines)  
Fax: (020) 8674 1818/8674 1838  
Zip: 510820