

## **HDL15-AS**

ACTIVE FLYABLE  
HIGH POWER  
SUBWOOFER



# LANGUAGE

ENGLISH

3



1. All the precautions, in particular the safety ones, must be read with special attention, as they provide important information.

## 2. POWER SUPPLY FROM MAINS

- a. The mains voltage is sufficiently high to involve a risk of electrocution; install and connect this product before plugging it in.
- b. Before powering up, make sure that all the connections have been made correctly and the voltage of your mains corresponds to the voltage shown on the rating plate on the unit, if not, please contact your RCF dealer.
- c. The metallic parts of the unit are earthed through the power cable. An apparatus with CLASS I construction shall be connected to a mains socket outlet with a protective earthing connection.
- d. Protect the power cable from damage; make sure it is positioned in a way that it cannot be stepped on or crushed by objects.
- e. To prevent the risk of electric shock, never open this product: there are no parts inside that the user needs to access.
- f. "POWER ON" switch is a disconnecting device from AC main power and must be easily accessible after the installation and during the using of equipment.

3. Make sure that no objects or liquids can get into this product, as this may cause a short circuit.

This apparatus shall not be exposed to dripping or splashing. No objects filled with liquid, such as vases, shall be placed on this apparatus. No naked sources (such as lighted candles) should be placed on this apparatus.

4. Never attempt to carry out any operations, modifications or repairs that are not expressly described in this manual.

Contact your authorized service centre or qualified personnel should any of the following occur:

- The product does not function (or functions in an anomalous way).
- The power cable has been damaged.
- Objects or liquids have got in the unit.
- The product has been subject to a heavy impact.

5. If this product is not used for a long period, disconnect the power cable.

6. If this product begins emitting any strange odours or smoke, switch it off immediately and disconnect the power cable.

7. Do not connect this product to any equipment or accessories not foreseen.

For suspended installation, only use the dedicated anchoring points and do not try to hang this product by using elements that are unsuitable or not specific for this purpose. Also check the suitability of the support surface to which the product is anchored (wall, ceiling, structure, etc.), and the components used for attachment (screw anchors, screws, brackets not supplied by RCF etc.), which must guarantee the security of the system / installation over time, also considering, for example, the mechanical vibrations normally generated by transducers.

To prevent the risk of falling equipment, do not stack multiple units of this product unless this possibility is specified in the user manual.

**8. RCF S.p.A. strongly recommends this product is only installed by professional qualified installers (or specialised firms) who can ensure correct installation and certify it according to the regulations in force.**

**The entire audio system must comply with the current standards and regulations regarding electrical systems.**

9. Supports and trolleys

The equipment should be only used on trolleys or supports, where necessary, that are

IMPORTANT



recommended by the manufacturer. The equipment / support / trolley assembly must be moved with extreme caution. Sudden stops, excessive pushing force and uneven floors may cause the assembly to overturn.

**10.** There are numerous mechanical and electrical factors to be considered when installing a professional audio system (in addition to those which are strictly acoustic, such as sound pressure, angles of coverage, frequency response, etc.).

**11. Hearing loss**

Exposure to high sound levels can cause permanent hearing loss. The acoustic pressure level that leads to hearing loss is different from person to person and depends on the duration of exposure. To prevent potentially dangerous exposure to high levels of acoustic pressure, anyone who is exposed to these levels should use adequate protection devices. When a transducer capable of producing high sound levels is being used, it is therefore necessary to wear ear plugs or protective earphones. See the manual technical specifications to know the maximum sound pressure level.

**IMPORTANT NOTES**

To prevent the occurrence of noise on line signal cables, use screened cables only and avoid putting them close to:

- Equipment that produces high-intensity electromagnetic fields.
- Power cables.
- Loudspeaker lines.

**IMPORTANT NOTES**



**OPERATING PRECAUTIONS**



**OPERATING PRECAUTIONS**

- Place this product far from any heat sources and always ensure an adequate air circulation around it.
- Do not overload this product for a long time.
- Never force the control elements (keys, knobs, etc. ).
- Do not use solvents, alcohol, benzene or other volatile substances for cleaning the external parts of this product.

**IMPORTANT NOTES**

Before connecting and using this product, please read this instruction manual carefully and keep it on hand for future reference. The manual is to be considered an integral part of this product and must accompany it when it changes ownership as a reference for correct installation and use as well as for the safety precautions. RCF S.p.A. will not assume any responsibility for the incorrect installation and / or use of this product.

**IMPORTANT NOTES**



**WARNING:** to prevent the risk of fire or electric shock, never expose this product to rain or humidity.

**WARNING**





The concept of this unique speaker derives from the touring industry, bringing in a compact cabinet all the experience of RCF professional sound.

The vocals are natural, the sound is clear at longer distances, the spl power is stable at very high levels.

The RCF Precision transducers equipping D LINE have been representing for decades the ultimate performance, the highest power handling and the most advanced technology in the professional and touring industry.

The high power woofer delivers extremely accurate punchy bass, the custom made compression driver offers a transparent midrange and extreme fidelity.

RCF Class-D power amplifiers technology packs huge performance operating with high efficiency into a lightweight solution. D LINE amplifiers deliver ultra fast attack, realistic transient response and impressive audio performance.

The integrated DSP manages crossover, equalisation, soft limiter, compressor and dynamic bass boost.

D LINE cabinets are moulded on a special polypropylene composite material designed to dampen down vibrations even at maximum volume settings.

From moulding to the final texture, D LINE offers the maximum reliability and strength for the intensive use on the road.

#### **THE HDL15-AS ACTIVE FLYABLE HIGH POWER SUBWOOFER**

The HDL15-AS is a compact, flyable high power subwoofer, designed to integrate seamlessly into a HDL 10-A flown array.

The bass reflex design guarantees a deep, linear power response while the 3,5" voice coil vented design woofer offers the minimum of power compression. The system provides integrated mechanics compatible with the HDL 10-A array module.

#### **The HDL15-AS features:**

- 2000 Watt Peak power - 1000 Watt RMS.
- 133 dB max SPL.
- 30 Hz - 140 kHz frequency response.
- 1 x 15" Woofer.
- DSP controlled Input section with selectable presets.
- Tour grade safe and solid variable mechanics, compatible with HDL 10-A.
- Designed to compliment the HDL 10-A speaker system.
- Baltic birch tour grade cabinet.

#### **The HDL15-AS input section provides:**

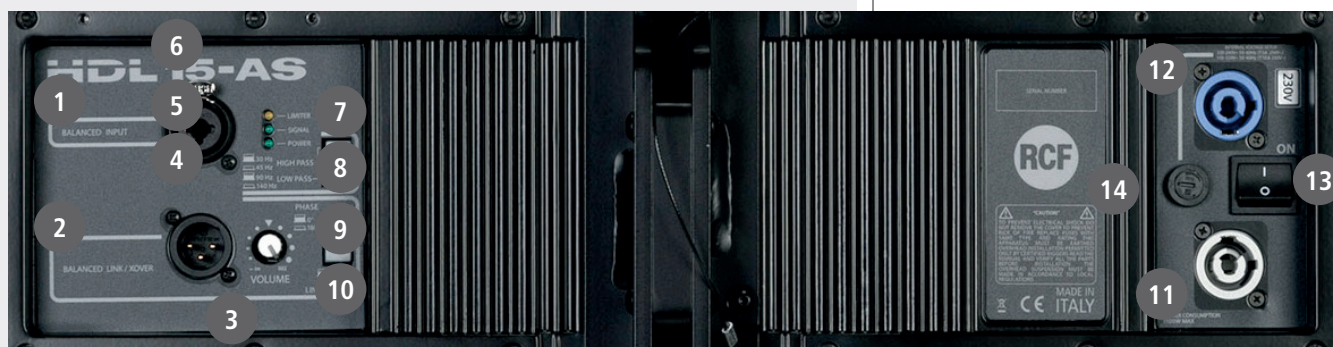
- IN/OUT XLR connectors.
- Crossover Output XLR connector.
- Volume control (linear potentiometer).
- Crossover setup (90 Hz - 140 Hz).
- Low frequencies high pass set-up (30 Hz - 45 Hz).
- Phase switch.
- Link crossover switch.
- 3 status LEDs.

#### **The HDL15-AS amplifier section features:**

- 1x1000 Watt Digital amplifier module.
- Powercon AC input connector.
- Floating aluminium panel.

## **D LINE TOURING AUDIO SOLUTIONS**

### **HDL15-AS ACTIVE FLYABLE HIGH POWER SUBWOOFER**



- 1 MAIN XLR INPUT (BAL/UNBAL). The system accept female XLR input connectors and line level signals from a mixing console or other signal source.
- 2 LINK XLR OUTPUT. The output XLR male connector provides a loop trough for speakers daisy chaining and crossover out if LINK/XOVER switch is pressed.
- 3 VOLUME. Controls the volume of the power amplifier. The control ranges from - (maximum attenuation) to the MAX level (maximum output).
- 4 POWER INDICATOR. Power on indicator. When the power cord is connected and the power switch is turned on this indicator lights green.
- 5 SIGNAL INDICATOR. The signal indicator lights green if there is signal present on the main XLR input.
- 6 LIMITER INDICATOR. The amplifier has a built in limiter circuit to prevent clipping of the amplifiers or overdriving the transducers. When the peak clipping circuit is active the LED blinks orange. It is okay if the limit LED blinks occasionally. If the LED blinks frequently or lights continuously, turn down the signal level. The amplifier has a built in RMS limiter. If the RMS limiter is active the LED lights red. The RMS limiter has the purpose to prevent damages the transducers. The speaker shall never be used with the limit indicator red, continuous operation with the RMS protection active can cause damages to the speaker.
- 7 HIGH PASS. The switch gives the possibility to set high pass filter at 30 Hz or 45 Hz.
- 8 LOW PASS. The switch gives the possibility to set low pass filter (crossover point) at 90 Hz or 140 Hz.
- 9 PHASE. The switch gives the possibility to rotate the phase of 180° (phase reverse).
- 10 LINK/XOVER. The switch enables the XLR link/xover output to daisy chain the signal or to add the crossover filter to the output signal.
  - LINK (daisy chain the input signal).
  - ON (add the crossover filter to the output signal).
- 11 AC POWERCON RECEPTACLE. RCF D Line uses a POWERCON locking 3-pole AC mains. Always use the specific power cord provided in the package.
- 12 AC POWERCON LINK RECEPTACLE. Use this receptacle to link one or more units.

Always make sure that the maximum current requirement does not exceed the maximum admitted POWERCON current. In case of doubt call the closest RCF SERVICE CENTRE.

**13** POWER MAIN SWITCH. The power switch turns the AC power ON and OFF. Make sure that the VOLUME is set to - when you turn on the speaker.

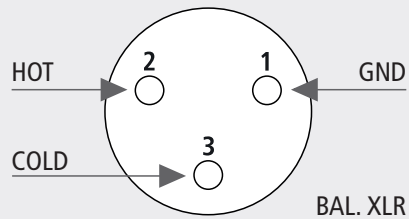
**14** FUSE.

The XLR connectors use the following AES standard:

PIN 1 = GROUND (SHIELD)

PIN 2 = HOT (+)

PIN 3 = COLD (-)



At this point you can connect the power supply cable and the signal cable, but before turning on the speaker make sure that the volume control is at the minimum level (even on the mixer output). It is important that the mixer is already ON before turning on the speaker. This will avoid damage to the speakers and noisy "bumps" due to turning on parts on the audio chain. It is a good practice to always turn on speakers at last and turn them off immediately after the show.

Now you can turn ON the speaker and adjust the volume control to a proper level.

## CONNECTIONS

### BEFORE CONNECTING THE SPEAKER

## TRANSPORTATION

Two aluminium die cast handles with rubber hand-grip are available on each side of the speaker system.

The outdoor quality, Baltic birch plywood, cabinet is protected with heavy duty, scratch resistant, polyurea coating.

## INSTALLATION

**WARNING:** never suspend D LINE speakers by there handles. Handles are intended for transportation, not for rigging.

**WARNING:** always make sure that the maximum current requirement does not exceed the maximum admitted POWERCON current. In case of doubt call the closest RCF service centre.

### MAINS SUPPLY

The system accept mains supply voltage 115-230 (+15/-15%) V ~

- **220-240V ~ 50-60HZ SETUP:** FUSE VALUE T5A 250V~

- **110-120V ~ 50-60 HZ SETUP:** FUSE VALUE T10A 250V~

**WARNING**



**WARNING**



## HDL15-AS SUSPENDED

- Suspending loads should be done with extreme caution.
- When deploying a system always wear protective helmets and footwear.
- Never allow people to pass under the system during the installation process.
- Never leave the system unattended during the installation process.
- Never install the system over areas of public access.
- Never attach other loads to the array system.
- Never climb the system during or after the installation.
- Never expose the system to extra loads created from the wind or snow.

**WARNING:** The system must be rigged in accordance with the laws and regulations of the Country where the system is used. It is responsibility of the owner or rigger to make sure that the system is properly rigged in accordance with Country and local laws and regulations.

**WARNING:** Always check that all the parts of the rigging system that are not provided from RCF are:

- appropriate for the application;
- approved, certified and marked;
- properly rated;
- in perfect condition.

**WARNING**



**WARNING**





**WARNING:** Each cabinet support the full load of the part of the system below. It is very important that each single cabinet of the system is properly checked.

The suspension system is designed to have a proper Safety Factors (configuration dependent). Using the "RCF Shape Designer" software it is very easy to understand safety factors and limits for each specific configuration. To better comprehend in which safety range the mechanics are working a simple introduction is needed: HDL15-AS mechanics are built with certified UNI EN 10025-95 S 235 JR and S 355 JR Steel. RCF prediction software calculates forces on every single stressed part of the assembly and shows the minimum safety factor for every link.

S 235 JR is a structural steel and S 355 has a stress-strain (or equivalent Force-Deformation) curve like the following.

The curve is characterized by two critical points: the Break Point and the Yield Point. The tensile ultimate stress is simply the maximum stress attained. Ultimate tensile stress is commonly used as a criterion of the strength of the material for structural design, but it should be recognized that other strength properties may often be more important. One of these is for sure the Yield Strength. Stress-strain diagram of S 235 JR exhibit a sharp break at a stress below the ultimate strength. At this critical stress, the material elongates considerably with no apparent change in stress. The stress at which this occurs is referred to as the yield point.

Permanent deformation may be detrimental, and the industry adopted 0.2% plastic strain as an arbitrary limit that is considered acceptable by all regulatory agencies. For tension and compression, the corresponding stress at this offset strain is defined as the yield.

S 355 J and S 235 JR characteristic values are  $R=360$  [N/mm<sup>2</sup>] and  $R=510$  [N/mm<sup>2</sup>] for Ultimate Strength and  $R_{p0.2}=235$  [N/mm<sup>2</sup>] and  $R_{p0.2}=355$  [N/mm<sup>2</sup>] for Yield Strength. In our prediction software the Safety Factors are calculated considering the Maximum Stress Limit equal to the Yield Strength, according with many international standards and rules. The resulting Safety Factor is the minimum of all the calculated safety factors, for each link or pin.

This is where you are working with a SF=4:

Depending on local safety regulation and on situation the required safety factor can vary. It is responsibility of the owner or rigger to make sure that the system is properly rigged in accordance with Country and local laws and regulations. The "RCF Shape Designer" software gives detailed information of the safety factor for each specific configuration.

The safety factor is the result of the forces acting on fly bar's and system's front and rear links and pins and depends on many variables:

- number of cabinets;
- fly bar angles;
- angles from cabinets to cabinets. If one of the cited variables change the safety factor MUST BE recalculated using the software before rigging the system.

In case the fly bar is picked up from 2 motors make sure that the fly bar angle is correct. An angle different from the angle used in the prediction software can be potentially dangerous. Never allow persons to stay or pass under the system during the installation process.

When the fly bar is particularly tilted or the array is very curved the centre of gravity can move out from the rear links. In this case the front links are in compression and the rear links are supporting the total weight of the system plus the front compression. Always check very carefully with the "RCF Shape Designer" software all this kind of situations (even with a small number of cabinets).

THE MAXIMUM NUMBER OF SPEAKERS THAT MAY BE SUSPENDED USING THE HDL10-A FRAME IS:

n° 16 HDL10-A;

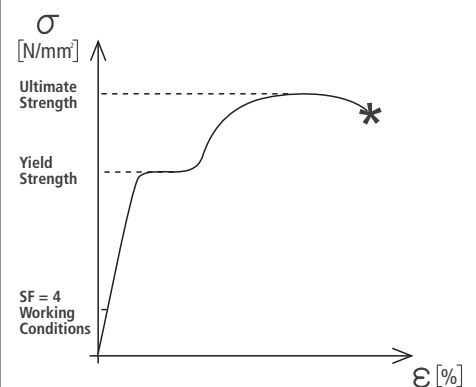
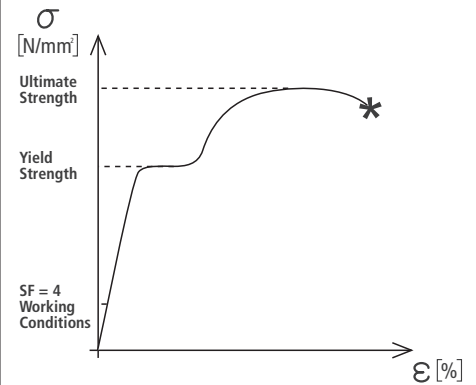
n° 8 HDL15-AS;

n° 4 HDL 15-AS + 8 (EIGHT) HDL 10-A USING ACCESSORY LINK BAR HDL10-HDL15-AS.

**WARNING**



## "RCF SHAPE DESIGNER" SOFTWARE AND SAFETY FACTOR



## MAXIMUM ARRAY SIZE

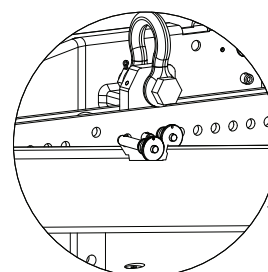
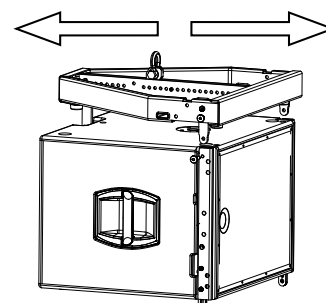
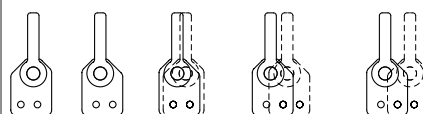
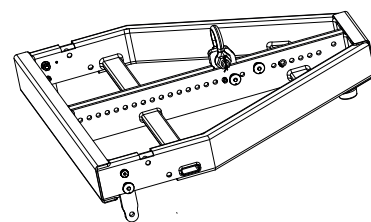
## THE HDL15-A FLY BAR

- 1 FRONT FLYING BRACKET. Front mounting.
- 2 QUICK LOCK PIN HOLE. Front mounting (to be used to lock the front bracket before installation).
- 3 FRONT BRACKET - TRANSPORT HOLES.
- 4 CENTRAL PICK UP POINTS.
- 5 The pickup is asymmetric and can be fit in two positions (A and B). A position brings the shackle towards the front. B position allows an intermediate step using the same fixing holes.
- 6 Move the pickup bracket in the position suggested by RCF Shape Designer.
- 7 Fix the pickup bracket with the two pins on the bracket's lanyard to lock the pickup.
- 8 Check that all the pins are secured and locked.

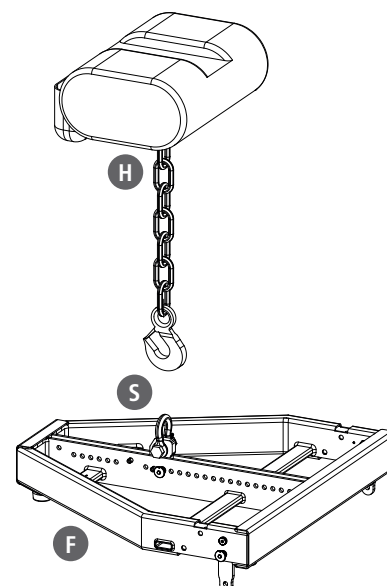
Rigging the system follow the procedure:

- H RIGGING CHAIN HOIST.
- S CERTIFIED SHACKLE.
- F FLY BAR.

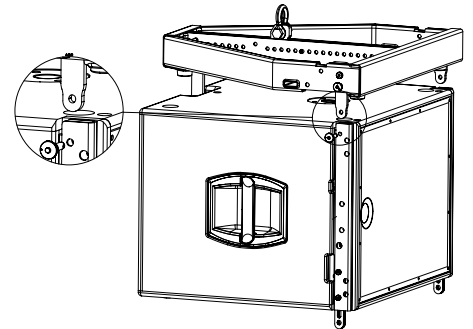
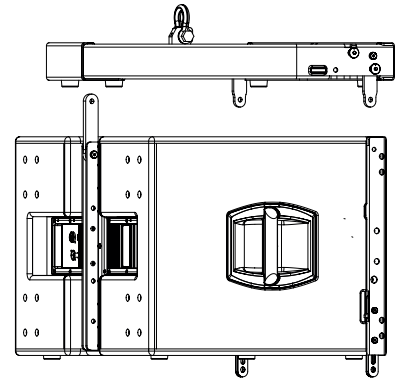
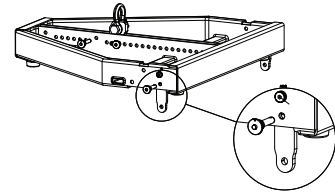
### THE HDL15-A FLY BAR FEATURES:



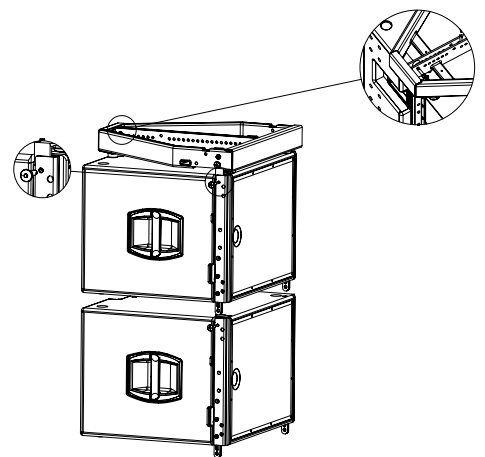
### RIGGING PROCEDURE



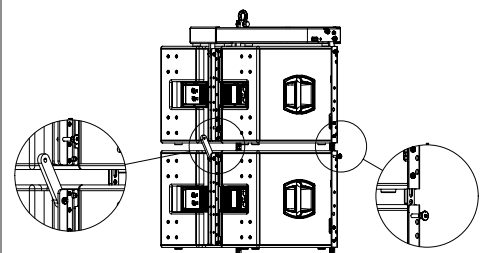
- 1) Connect the fly-bar F to the chain hoist H (o motors) using the certified shackle. Secure the shackle.
- 2) Connect the second pin on the front bracket to make sure that the connecting bracket is vertical.
- 3) Connect the front bracket to the first HDL15-A cabinet using 2 quick lock pins.



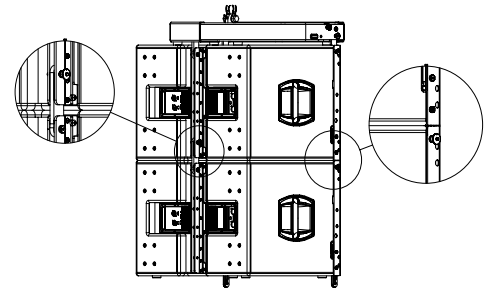
- 4) Reverse and connect the rear bracket to the fly-bar using 1 quick lock pins. The first HDL15-AS has to be fixed always starting at 0° with respect of the frame. No other angles are allowed.



- 5) Connect the second cabinet to the first always starting from the 2 front brackets.



6) Reverse and connect the rear bracket of the second cabinet using the hole.



7) Connect all the other HDL10-A cabinets using the accessory linkbar HDL15 to HDL10A (P.N. 13360296).

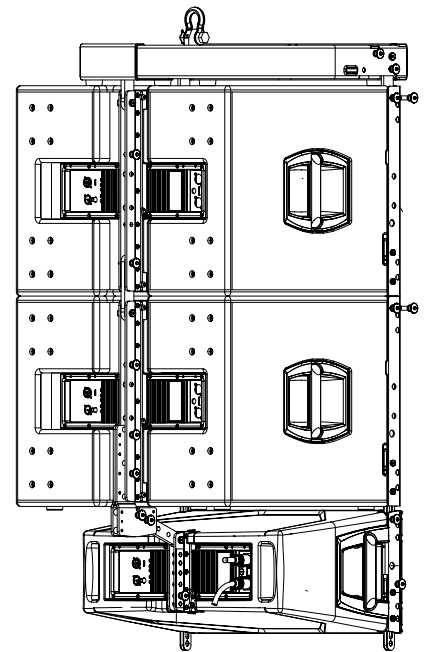
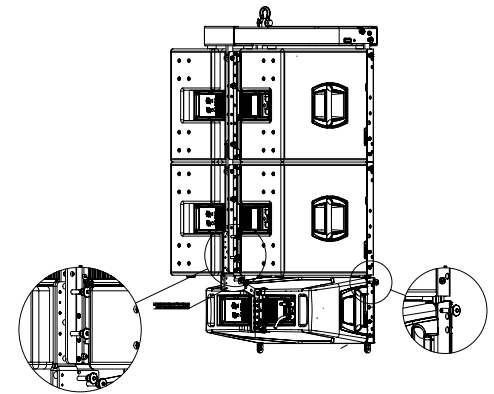
Fix the linkbar P.N. 13360296 to the HDL 15-AS rear bracket using 2 pins (1 on the subwoofer and 1 on the accessory).

Fix HDL 10-A front to subwoofer brackets using 2 pins.

Fix the HDL 10-A rear bracket to the linkbar P.N. 13360296 using the included 2 pins.

The first HDL 10-A module must be parallel to the subwoofer.

This application allows to link a maximum of 8 HDL 10-A.



HDL10-A allow users to choose from different face-to-face angle adjustments to create arrays with varying curvature. Thus, designers can create arrays custom-tailored to each venue's profile.

The basic approach to array design dependent on three factors:

- Number of Array Elements;
- Vertical Splay Angles;
- Horizontal Coverage.

Determining the number of elements to use is critical: the number of elements greatly affects the SPL available from the system as well as the uniformity of coverage in both SPL and frequency response. The number of elements profoundly effects the directivity at lower frequencies.

The next easy equation, works as an approximation for flat listening planes.

Coverage (x)  $\approx$  8n (m) Coverage distance required = x (metres).

Changing the splay angles between cabinets has a significant impact on vertical coverage for the high frequencies, with the result that narrower vertical splay angles produce a higher Q vertical beamwidth, while wider splay lowers the Q at high frequencies. In general, the splay angles do not affect the vertical coverage at lower frequencies.

The curved array system design can be summarized as:

- flat-front HDL10-A s for long throw sections;
- increase curvature as distance decreases;
- add more enclosures for more output.

This approach focuses more transducers mounted on long-throw horns at the farthest seat, gradually focusing fewer transducers as distance decreases. As long as the no gap rule is maintained, arrays constructed according to these principles will provide even SPL and a consistent sonic character throughout the venue without requiring complex processing. This approach, where the same amount of acoustic energy is spread over a larger or smaller vertical angle depending on required throw, typically have the following objectives:

- even horizontal and vertical coverage;
- uniform SPL;
- uniform frequency response;
- sufficient SPL for the application.

This discussion represents, of course, just a basic approach. Given the infinite variety of venues and performers, users will find themselves needing to solve specific problems in specific situations. RCF Shape Designer software designed to help calculate optimum splay angles, aiming angles, and fly-bar pick points (crucial in aiming the array) for a given venue, will be explained later in this Guide.

RCF Shape Designer is supplied in a zip folder which contains a setup executable file:



Double-click on this and follow the on-screen prompts.

## INSTALLING RCF SHAPE DESIGNER

The RCF Shape Designer requires an IBM compatible PC with the Windows® 98, Windows® 98SE, Windows® 2000, Windows® ME, Windows® XP, or Windows NT® operating systems. It is not designed to work with Windows® 3.x, Windows® 95, or Macintosh® operating systems.

Use the RCF Shape Designer for designing HDL10-A arrays. The RCF Shape Designer's primary function is to determine the configuration that will provide the best vertical performance for a given application. Various venue dimensions are entered that allow the RCF Shape Designer to calculate the resultant array performance.

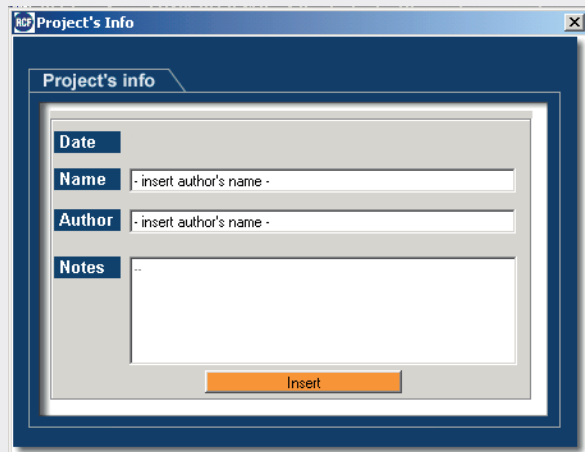
Once you have installed RCF Shape Designer, it will be visible as a shortcut in All Programs via your Windows Start button.



A single click on the RCF Shape Designer tab will open the following page:



A single click on the window will open the following page:



Filling the blank tabs it's possible to start the program.

## COMPUTER REQUIREMENTS

## INTRODUCTION

## USING RCF SHAPE DESIGNER SOFTWARE

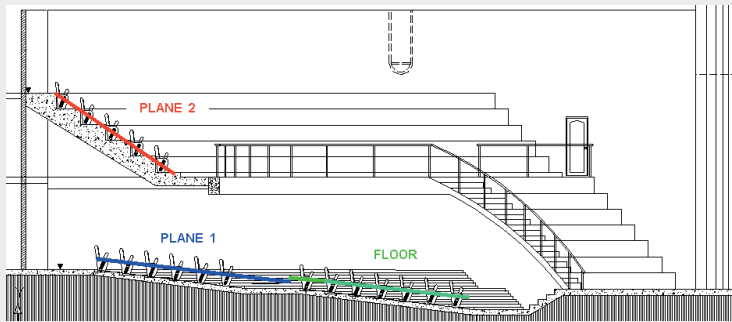
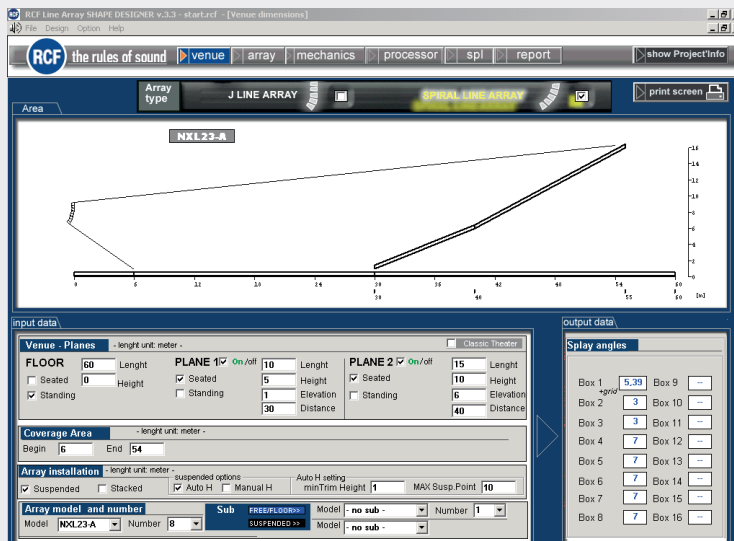
## ENTERING VENUE DATA

For best results, planes should be used as follows:

FLOOR is used to simulate the main floor area from the stage to a rear bleacher or boundary.

PLANE 1 is used to simulate any audience continuation behind FLOOR (e.g. a rear bleacher) from the end of the main floor to furthest and highest seat below PLANE 2.

PLANE 2 is used to simulate the furthest/highest audience area.



Enter the height, length and elevation of up to three planes.

Venue - Planes		- lenght unit: meter -	
<b>FLOOR</b>	Length: 60	<b>PLANE 1</b> <input checked="" type="checkbox"/> On / off	Length: 10
<input type="checkbox"/> Seated	Height: 0	<input checked="" type="checkbox"/> Seated	Height: 5
<input checked="" type="checkbox"/> Standing		<input type="checkbox"/> Standing	Elevation: 1
			Distance: 30
		<b>PLANE 2</b> <input checked="" type="checkbox"/> On / off	Length: 15
		<input checked="" type="checkbox"/> Seated	Height: 10
		<input type="checkbox"/> Standing	Elevation: 6
			Distance: 40

For all planes Length refers to the horizontal length of that plane.

For all planes Height refers to the height of the rear of the plane.

For PLANES 1 and 2 Elevation refers to the elevation (height) of the front of the plane.

For PLANE 1 and 2 Distance relates to the actual distance from the front of the array to the start of the plane.

For all planes selecting Seated or Standing places ear level at 1.3 or 1.7 m above the respective plane.

Specify the horizontal coverage distances from the front of the array.

Coverage Area		- lenght unit: meter -	
Begin	6	End	45

Select either Suspended or Stack in the Array installation section to determines how the array is supported.

Array installation		- lenght unit: meter -	
<input checked="" type="checkbox"/> Suspended	<input type="checkbox"/> Stacked	<input checked="" type="checkbox"/> Auto H	<input type="checkbox"/> Manual H
		minTrim Height	1
		MAX Susp.Point	10

In Suspended mode the grid is suspended and cabinets are attached beneath.

In Stack mode the grid forms a base and cabinets are placed on top.

## COVERAGE

## ARRAY INSTALLATION

**AUTO H SETTING - MIN TRIM HEIGHT**

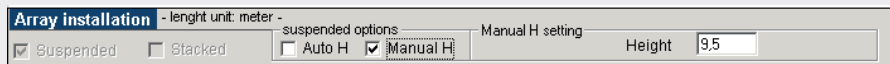
This is the low limit for the array and is defined as the smallest allowable distance from the lowest point of the array to the ground below

**AUTO H SETTING - MAX SUSPENSION POINT**

Set this to the maximum array height allowable (usually the highest part of the flying frame). The maximum pick height is usually chosen to allow for the maximum flying point height minus a sensible allowance for any shackles, stingers, bridles or flying hooks. 1m should be allowed for a stinger between each grid flying lug and the relevant motor hook to ensure that motor chain bags do not rest on the grid or top cabinet and upset its tilt angle.

**MANUAL H SETTING**

In manual installation mode it is possible to enter the height required for flying the system.

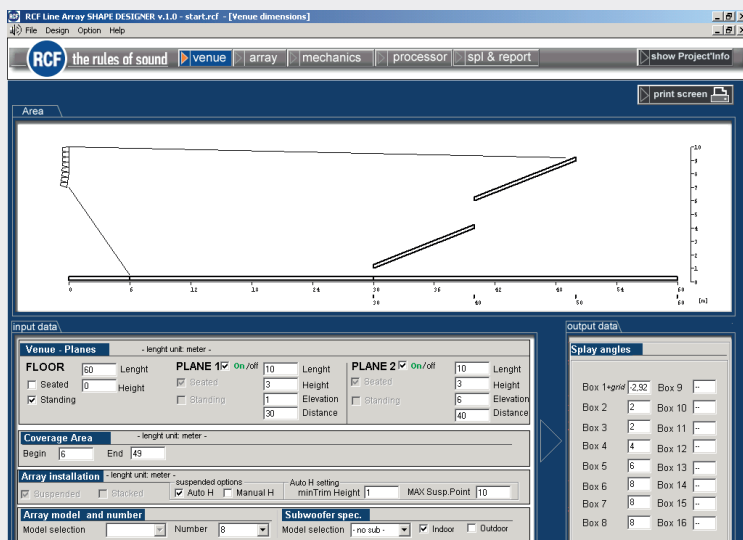


Number of cabinets can be set depending also on cabs availability.

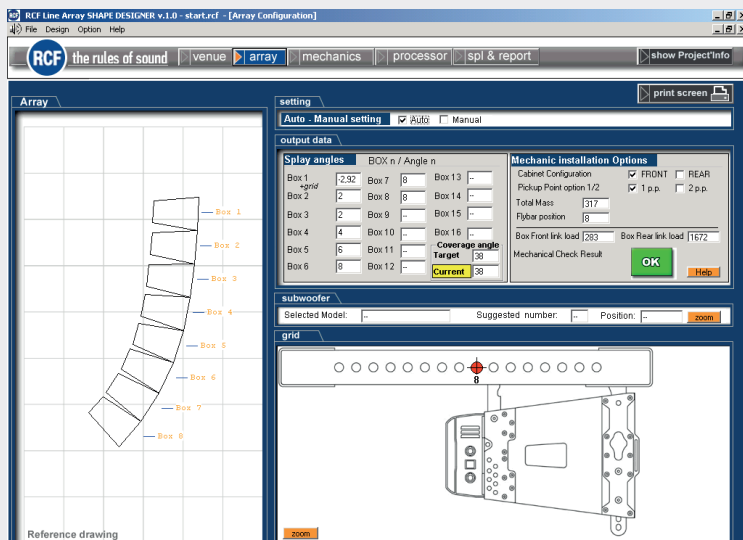


**VENUE PAGE**

- Graphical representations of the array and the venue
- Aiming splay angle between each pair of enclosures



- Height of the array and trim height to the bottom of the array from the floor
- Pick Point on the Fly-Bar to achieve the calculated array angle when suspended
- Weight of the array
- Mechanical check result



**SUSPENDED MODE**

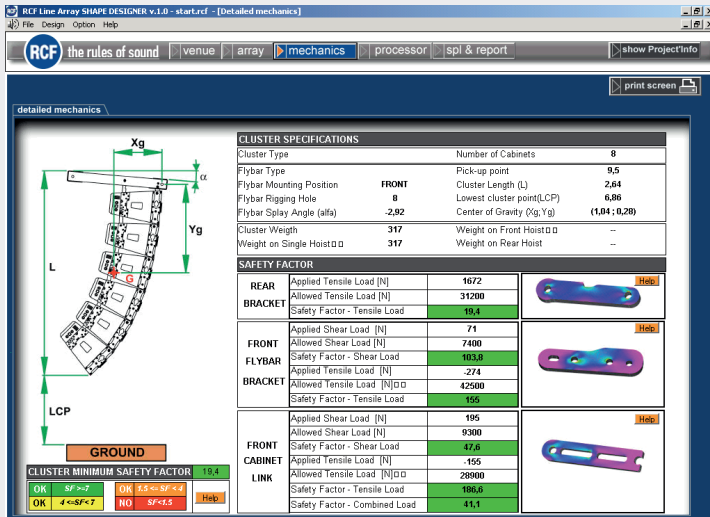
**NUMBER OF CABINETS AND SUBWOOFERS**

**RCF SHAPE DESIGNER RESULTS**

**ARRAY PAGE**

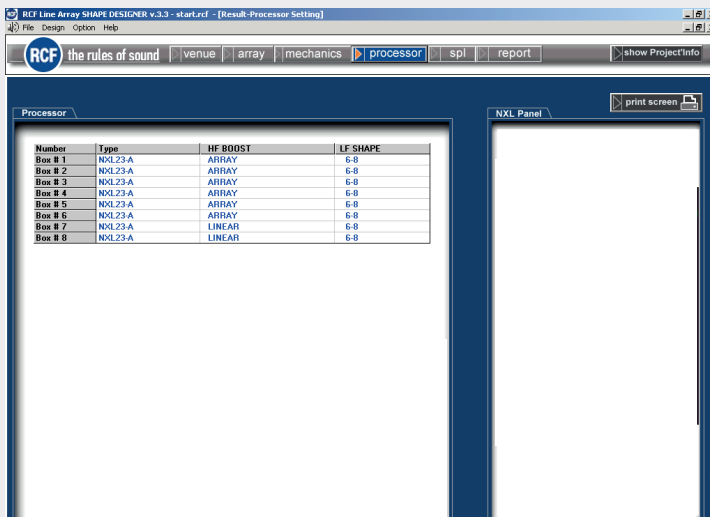


- Cluster Mechanical specifications
- Mechanical safety factors



MECHANICS PAGE

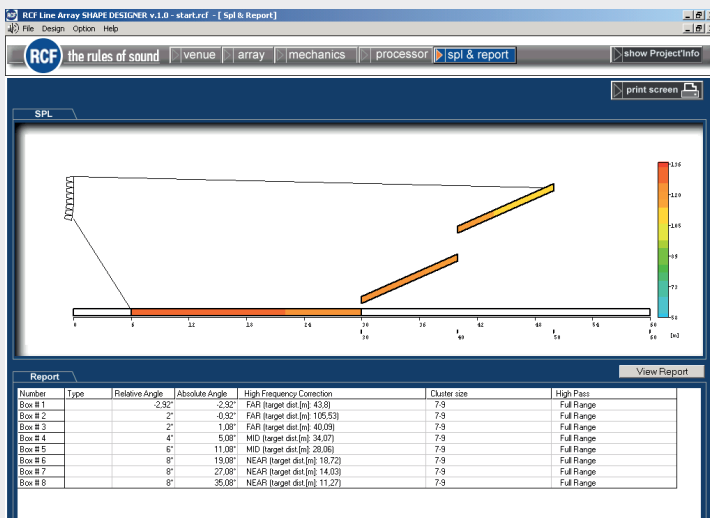
- DSP preset configuration



PROCESSOR PAGE

- On-axis aiming angle for each enclosure as a difference from 0° horizontal
- Various angles and throw distances calculated from the venue's dimensions
- DSP preset configuration
- SPL representation on the audience area

SPL & REPORT PAGE



**WARNING:** It is possible to display different pages only IN SEQUENCE (venue > array > mechanics > processor > spl & report, and back), in order to be sure that all pages will be shown to the user, including the one regarding mechanics.

WARNING

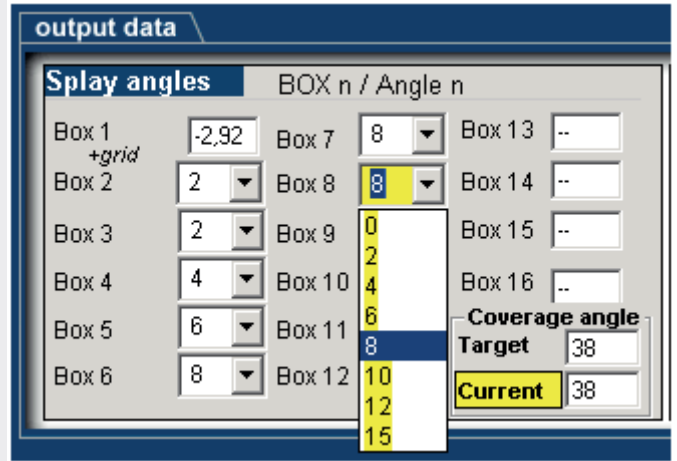


RCF Shape Designer works in either of two basic ways:

- AUTOMATIC MODE (default setting): The RCF Shape Designer will select the optimum enclosure splays, array aiming angle, fly-bar pick point and DSP preset configurations.
- MANUAL MODE: This provides a partial control over the array's configuration. The enclosure splays can be increased with a progression of 2° steps for each adjacent speaker, in order to maintain a spiral array configuration. Then array aiming angle, and fly-bar pick point can be entered manually by switching on Box1 + grid changeable and MANUAL H flags.



Array window: Manual splays setting



Angles manual changing

## MANUAL MODE



<b>ACOUSTICAL</b>	
<b>Operating frequency range</b>	Frequency Response -3 dB: 30 Hz ÷ 140 kHz
<b>Max SPL</b>	Max SPL: 133 dB
<b>Crossover point</b>	Woofer: 15", 3.5" v.c.
<b>INPUT/OUTPUT SECTION</b>	
<b>Input signal</b>	bal/unbal
<b>Input connectors</b>	XLR
<b>Output connectors</b>	XLR
<b>Input sensitivity</b>	-2 dBu / +4 dBu
<b>PROCESSOR SECTION</b>	
<b>Protections</b>	Thermal, RMS
<b>Limiter</b>	Soft limiter
<b>Controls</b>	Volume, EQ shape, Xover
<b>AMPLIFIER</b>	
<b>Total power</b>	1000 W
<b>Low frequencies</b>	1000 W
<b>Cooling</b>	Convection/forced
<b>Connections</b>	Powercon in/out
<b>CABINET</b>	
<b>Cabinet Material</b>	Baltic Birch
<b>Hardware</b>	Rigging flyware / M20 insert
<b>Handles</b>	2 side
<b>Colour</b>	Black
<b>PHYSICAL</b>	
<b>Height</b>	555 mm (21.8")
<b>Width</b>	458 mm (18.0")
<b>Depth</b>	569 mm (22.4")
<b>Net Weight</b>	39.0 kg (85.98 lbs)



[www.rcf.it](http://www.rcf.it)

**HEADQUARTERS:**

**RCF S.p.A. Italy**  
tel. +39 0522 274 411  
e-mail: [info@rcf.it](mailto:info@rcf.it)

**RCF UK**  
tel. 0844 745 1234  
Int. +44 870 626 3142  
e-mail: [info@rcfaudio.co.uk](mailto:info@rcfaudio.co.uk)

**RCF France**  
tel. +33 1 49 01 02 31  
e-mail: [france@rcf.it](mailto:france@rcf.it)

**RCF Germany**  
tel. +49 2203 925370  
e-mail: [germany@rcf.it](mailto:germany@rcf.it)

**RCF Benelux**  
tel. +49 (0) 2203 9253724  
e-mail: [belgium@rcf.it](mailto:belgium@rcf.it)

**RCF USA Inc.**  
tel. +1 732-9026100  
e-mail: [info@rcf-usa.com](mailto:info@rcf-usa.com)

**RCF Spain**  
tel. +34 91 817 42 66  
e-mail: [info@rcfaudio.es](mailto:info@rcfaudio.es)