



ENCORE BURST 100IP



User Manual

©2022 ADJ Products, LLC all rights reserved. Information, specifications, diagrams, images, and instructions herein are subject to change without notice. ADJ Products, LLC logo and identifying product names and numbers herein are trademarks of ADJ Products, LLC. Copyright protection claimed includes all forms and matters of copyrightable materials and information now allowed by statutory or judicial law or hereinafter granted. Product names used in this document may be trademarks or registered trademarks of their respective companies and are hereby acknowledged. All non-ADJ Products, LLC brands and product names are trademarks or registered trademarks of their respective companies.

ADJ Products, LLC and all affiliated companies hereby disclaim any and all liabilities for property, equipment, building, and electrical damages, injuries to any persons, and direct or indirect economic loss associated with the use or reliance of any information contained within this document, and/or as a result of the improper, unsafe, insufficient and negligent assembly, installation, rigging, and operation of this product.

DOCUMENT VERSION



Due to additional product features and/or enhancements, an updated version of this document may be available online.

Please check www.adj.com for the latest revision/update of this manual before beginning installation and/or programming.

Date	Document Version	Software Version	DMX Channels	Notes
02/21/2019	1.0	1.1	1/2/3/4 Channels	Initial Release
05/03/2022	1.1	1.4	1/2/3/4/5 Channels	Updated IP Notice; added 5-ch mode - updated Features, DMX Set Up, DMX Addressing, DMX Traits, System Menu, Dimmer Chart, and Specifications; added Dimmer Speed Chart.

Europe Energy Saving Notice

Energy Saving Matters (EuP 2009/125/EC)

Saving electric energy is a key to help protecting the environment. Please turn off all electrical products when they are not in use. To avoid power consumption in idle mode, disconnect all electrical equipment from power when not in use. Thank you!

TABLE OF CONTENTS

Introduction	4
Limited Warranty (USA Only)	5
Warranty Registration Features	6
Safety Precautions	7
IP Notice	8
Installation	9
Overview	10
DMX Set Up	11
DMX Addressing	12
DMX Traits	13
Dimmer Speed Chart	14
System Menu	15
Operating Instructions	17
Multiple Unit Power Linking Dimmer Mode Chart	21
Dimensional Drawings Trouble Shooting Cleaning	22
FCC Statement	23
Specifications	24

INTRODUCTION

Unpacking: Thank you for purchasing the Encore Burst 100IP by ADJ Products, LLC. Every device has been thoroughly tested and has been shipped in perfect operating condition. Carefully check the shipping carton for damage that may have occurred during shipping. If the carton appears to have been damaged, carefully inspect your fixture for any damage and be sure all accessories necessary to operate the unit have arrived intact. In the event that damage has been found or parts are missing, please contact our toll free customer support number for further instructions. Do not return this unit to your dealer without first contacting customer support.

Introduction: This device is a DMX intelligent, high powered LED fixture. To optimize the performance of this product, please read these operating instructions carefully to familiarize yourself with the basic operations of this unit. These instructions contain important safety information regarding the use and maintenance of this unit. Please keep this manual with the unit for future reference.

Customer Support: Contact ADJ Service for any product related service and support needs. Also visit forums.adj.com with questions, comments or suggestions.

Parts: To purchase parts online visit:

<http://parts.adj.com> (US)

<http://www.adjparts.eu> (EU)

ADJ SERVICE USA - Monday - Friday 8:00am to 4:30pm PST

Voice: 800-322-6337 | Fax: 323-582-2941 | support@adj.com

ADJ SERVICE EUROPE - Monday - Friday 08:30 to 17:00 CET

Voice: +31 45 546 85 60 | Fax: +31 45 546 85 96 | support@adj.eu

ADJ PRODUCTS LLC USA

6122 S. Eastern Ave. Los Angeles, CA. 90040

323-582-2650 | Fax 323-532-2941 | www.adj.com | info@adj.com

ADJ SUPPLY Europe B.V

Junostraat 2 6468 EW Kerkrade, The Netherlands

+31 (0)45 546 85 00 | Fax +31 45 546 85 99

www.americandj.eu | info@americandj.eu

ADJ PRODUCTS GROUP Mexico

AV Santa Ana 30 Parque Industrial Lerma, Lerma, Mexico 52000

+52 (728) 282-7070

CAUTION! There are no user serviceable parts inside this unit. Do not attempt any repairs yourself, as doing so will void your manufacturer's warranty. In the unlikely event your unit may require service, please contact ADJ Products, LLC.

Do not discard the shipping carton in the trash. Please recycle when ever possible.

LIMITED WARRANTY (USA ONLY)

- A. ADJ Products, LLC hereby warrants, to the original purchaser, ADJ Products, LLC products to be free of manufacturing defects in material and workmanship for a prescribed period from the date of purchase (see specific warranty period on reverse). This warranty shall be valid only if the product is purchased within the United States of America, including possessions and territories. It is the owner's responsibility to establish the date and place of purchase by acceptable evidence, at the time service is sought.
- B. For warranty service, you must obtain a Return Authorization number (RA#) before sending the product back—please contact ADJ Products, LLC Service Department at 800-322-6337. Send the product only to the ADJ Products, LLC factory. All shipping charges must be prepaid. If the requested repairs or service (including parts replacement) are within the terms of this warranty, ADJ Products, LLC will pay return shipping charges only to a designated point within the United States. If the entire instrument is sent, it must be shipped in its original package and packaging material. No accessories should be shipped with the product. If any accessories are shipped with the product, ADJ Products, LLC shall incur no liability whatsoever for loss of or damage to any such accessories, nor for the safe return thereof.
- C. This warranty is void if the product serial number and/or labels are altered or removed; if the product is modified in any manner which ADJ Products, LLC concludes, after inspection, affects the reliability of the product; if the product has been repaired or serviced by anyone other than the ADJ Products, LLC factory unless prior written authorization was issued to purchaser by ADJ Products, LLC; if the product is damaged because it was not properly maintained as set forth in the product instructions, guidelines and/or user manual.
- D. This is not a service contract, and this warranty does not include maintenance, cleaning, or periodic check-up. During the period specified above, ADJ Products, LLC will replace defective parts at its expense with new or refurbished parts, and will absorb all expenses for warranty service and repair labor by reason of defects in material or workmanship. The sole responsibility of ADJ Products, LLC under this warranty shall be limited to the repair of the product, or replacement thereof, including parts, at the sole discretion of ADJ Products, LLC. All products covered by this warranty were manufactured after August 15, 2012, and bear identifying marks to that effect.
- E. ADJ Products, LLC reserves the right to make changes in design and/or improvements upon its products without any obligation to include these changes in any products theretofore manufactured.
- F. No warranty, whether expressed or implied, is given or made with respect to any accessory supplied with products described above. Except to the extent prohibited by applicable law, all implied warranties made by ADJ Products, LLC in connection with this product, including warranties of merchantability or fitness, are limited in duration to the warranty period set forth above. And all warranties, whether expressed or implied, including warranties of merchantability or fitness, are limited in duration to the warranty period set forth above. The consumer's and/or dealer's sole remedy shall be such repair or replacement as is expressly provided above; and under no circumstances shall ADJ Product, LLC be liable for any loss and/or damage, direct and/or consequential arising out of the use of, and/or inability to use this product.
- G. This warranty is the only written warranty applicable to ADJ Products, LLC products, and supersedes all prior warranties and written descriptions of warranty terms and conditions heretofore published.

MANUFACTURER'S LIMITED WARRANTY PERIODS:

- Non-LED Lighting Products = 1-Year (365 Days) (Including Special Effect Lighting, Intelligent Lighting, UV lighting, Strobes, Fog Machines, Bubble Machines, Mirror Balls, Par Cans, Trussing, Lighting Stands, Power/Data Distribution, etc. excluding LED and lamps)
- Laser Products = 1-Year (365 Days) (excluding laser diodes which have a 6-Month Limited Warranty)
- LED Products = 2-Year (730 Days) (excluding batteries which have a 180 Day Limited Warranty)
- NOTE: 2-Year (730 Days) Limited Warranty ONLY applies to product purchased within the United States. StarTec Series = 1-Year (365 Days) (excluding batteries which have a 180 Day Limited Warranty)
- ADJ DMX Controllers = 2 Year (730 Days)
- American Audio Products = 1 Year (365 Days)

WARRANTY REGISTRATION

The Encore Burst 100IP carries a 2 year (730 days) limited warranty. Please fill out the enclosed warranty card to validate your purchase. All returned service items, whether under warranty or not, must be freight pre-paid and accompanied by a return authorization (R.A.) number. The R.A. number must be clearly written on the outside of the return package. A brief description of the problem, as well as the R.A. number, must also be written down on a piece of paper included in the shipping carton. If the unit is under warranty, you must provide a copy of your proof of purchase invoice. You may obtain an R.A. number by contacting our customer support team on our customer support number. All packages returned to the service department not displaying an R.A. number on the outside of the package will be returned to the shipper.

FEATURES

- Electronic Dimming 0-100%
- DMX-512 protocol
- 4 DMX Modes: 1/2/3/4/5-channel
- IP65 Locking 5-Pin XLR Connector In/Out
- Frequency Adjustment
- Gamma Adjustment
- Tungsten Effect
- 6 Dimmer Curves With Dimmer Adjustment Speed
- Multiple Unit Power Linking (See **Multiple Unit Power Linking** section of this manual)

INCLUDED ITEMS

- IP65 Locking Power Cable (x1)

SAFETY PRECAUTIONS

For Your Own Personal Safety, Please Read and Understand This Manual Completely Before You Attempt To Install Or Operate This Unit!

- To reduce the risk of electrical shock or fire, do not expose this unit to rain or moisture
- Do not spill water or other liquids into or on to your unit.
- Be sure that voltage of the power source matches the required voltage for your unit.
- Do not attempt to operate this unit if the power cord is frayed or broken.
- Do not attempt to remove or break off the ground prong from the electrical cord. This prong is used to reduce the risk of electrical shock and fire in the event of an internal short.
- Disconnect from main power before making any type of connection.
- Do not remove the cover for any reason. There are no user serviceable parts inside.
- Never operate this unit with the cover removed.
- Always be sure to mount this unit in an area that will allow proper ventilation. Allow about 6” (15cm) between this device and a wall.
- Do not attempt to operate this unit if it has been damaged in any way.
- This unit is intended for indoor use only, and use of this product outdoors voids all warranties.
- Always mount this unit in safe and stable matter.
- Power-supply cords should be routed so that they are not likely to be walked on or pinched by items placed upon or against them, paying particular attention to cords at plugs, convenience receptacles, and the point where they exit from the appliance.
- **Cleaning** - The fixture should be cleaned only as recommended by the manufacturer. See the **Cleaning** section of this manual for details.
- **Heat** - This fixture should be situated away from heat sources such as radiators, heat registers, stoves, or other appliances (including amplifiers) that produce heat.
- The fixture should be serviced by qualified service personnel when:
 - A. Objects have fallen onto, or liquid has been spilled into, the device.
 - B. The appliance has been exposed to rain or water.
 - C. The appliance does not appear to operate normally, or exhibits a marked change in performance.

IP NOTICE

IP65 RATED

An IP rated lighting fixture is commonly installed in outdoor environments and has been designed with an enclosure that effectively protects the ingress (entry) of external foreign objects such as dust and water. The International Protection (IP) rating system is commonly expressed as “IP” followed by two numbers (i.e. IP65), where the numbers define the degree of protection. The first digit (Foreign Bodies Protection) indicates the extent of protection against particles entering the fixture, and the second digit (Water Protection) indicates the extent of protection against water entering the fixture. ***An IP65 rated lighting fixture, such as this device, has been designed and tested to protect against the ingress of dust (6) and low-pressure water jets from any direction (5).***

MARINE/COASTAL ENVIRONMENT INSTALLATIONS



This device is NOT suitable for marine and/or coastal environment installations. Installing this fixture in a marine and/or coastal environment may cause corrosion and/or excessive wear to the interior and/or exterior components of the fixture. Damages and/or performance issues resulting from installation in a marine and/or coastal environment will void the manufacturer’s warranty and will NOT be subject to any warranty claims and/or repairs.

INSTALLATION

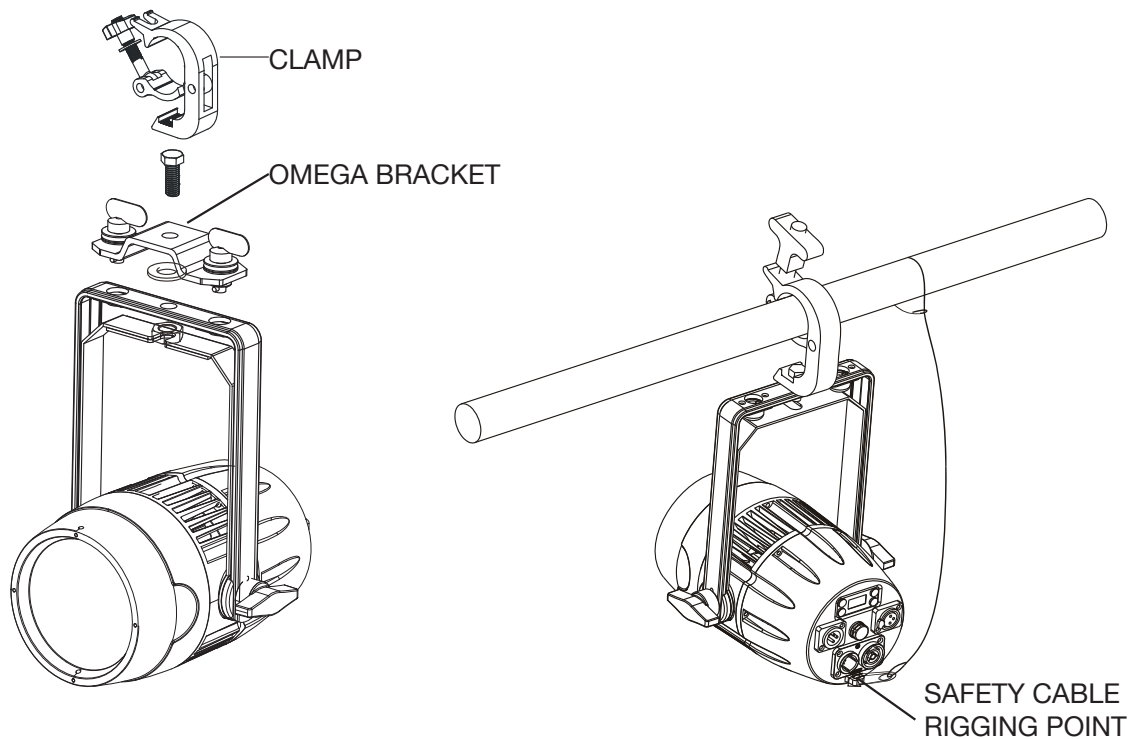
Always ensure that the unit is firmly fixed in order to avoid vibration and slipping during operation. The structure that the unit is attached to must be secure and capable of supporting at least 10 times the unit's weight. **ALWAYS** use safety cables that can support at least 12 times the weight of the unit when installing the fixture.

This equipment must be installed by a professional, and it must be installed in a place where it is out of the reach of the general public.

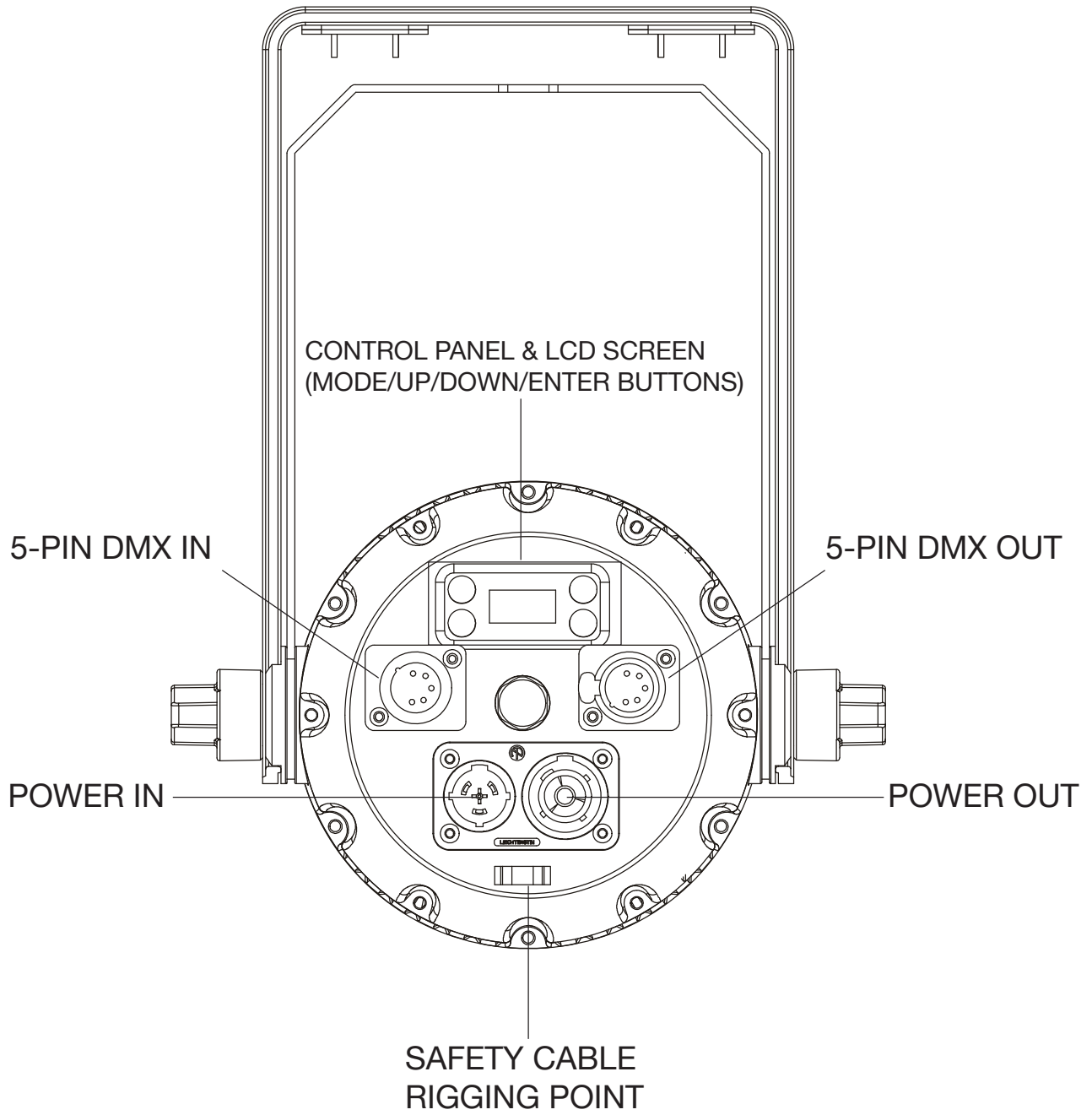
Ensure ALL connections and end caps are properly sealed with a non-conductive dielectric grease (available at most electrical suppliers) in order to prevent water ingress/condensation and/or corrosion.

This device is fully operational in three different mounting positions: hanging upside-down, mounted sideways on trussing, or set on a flat level surface. Be sure this fixture is kept at least 12m (40ft) away from any flammable materials (decoration etc.).

Screw one clamp into the Omega bracket using an M12 screw and nut. Insert the quick-lock fasteners of the Omega bracket into the respective holes of the adjustable mounting bracket, then tighten the quick-lock fasteners fully clockwise. Pull the safety-cable through the eyelet loop located on the rear of the unit and over the trussing system or a safe fixation spot, then insert the end in the carabine and tighten the safety screw. **ALWAYS** use and install a properly rated safety cable as a safety measure to prevent accidental damage and/or injury in the event that the clamp fails.



OVERVIEW



DMX SET UP

DMX-512: DMX is short for Digital Multiplex. This is a universal protocol used as a form of communication between intelligent fixtures and controllers. A DMX controller sends DMX data instructions from the controller to the fixture. DMX data is sent as serial data that travels from fixture to fixture via the DATA “IN” and DATA “OUT” XLR terminals located on all DMX fixtures (most controllers only have a DATA “OUT” terminal).

DMX Linking: DMX is a language allowing all makes and models of different manufacturers to be linked together and operate from a single controller, as long as all fixtures and the controller are DMX compliant. To ensure proper DMX data transmission, try to use the shortest cable path possible when linking several DMX fixtures. The order in which fixtures are connected in a DMX line does not influence the DMX addressing. For example, a fixture assigned a DMX address of 1 may be placed anywhere in a DMX line: at the beginning, at the end, or anywhere in the middle. When a fixture is assigned a DMX address of 1, the DMX controller knows to send DATA assigned to address 1 to that unit, no matter where it is located in the DMX chain.

Data Cable (DMX Cable) Requirements (For DMX Operation): This device can be controlled via DMX-512 protocol, and features 5 selectable DMX channel modes. Your unit and your DMX controller require a 5-pin XLR connector for data input and data output. We recommend Accu-Cable DMX cables. If you are making your own cables, be sure to use standard 110-120 Ohm shielded cable (This cable may be purchased at almost all pro lighting stores). Your cables should be made with a male XLR connector at one end and a female XLR connector at the other. Also remember that DMX cable must be daisy chained and cannot be split.

Special Note: Line Termination. When longer runs of cable are used, it may be necessary to use a terminator on the last unit to avoid erratic behavior. A terminator is a 110-120 ohm 1/4 watt resistor which is connected between pins 2 and 3 of a male XLR connector (DATA + and DATA -). This unit is inserted in the female XLR connector of the last unit in your daisy chain to terminate the line. Using a cable terminator (ADJ part number Z-DMX/T) will decrease the possibilities of erratic behavior.

DMX ADDRESSING

DMX ADDRESSING

When using a DMX controller, all fixtures should be given a DMX starting address in order to ensure that the correct fixture responds to the correct control signal. This digital starting address is the channel number from which the fixture starts to “listen” to the digital control signal sent out from the DMX controller. The DMX address is assigned by using the digital control display on each individual fixture.

You can set the same starting address for all fixtures or a group of fixtures, or set different addresses for each individual fixture. Setting all fixtures to the same DMX address will cause all fixtures to react in the same way; in other words, changing the settings of one channel will affect all the fixtures simultaneously.

If you set each fixture to a different DMX address, each unit will start to “listen” to the channel number you have set, based on the quantity of DMX channels of each fixture. That means changing the settings of one channel will only affect the selected fixture.

For example, when operating this device in 4 channel mode, you should set the starting DMX address of the first unit to 1, the second unit to 5 (1 + 4), the third unit to 9 (1 + 4 + 4), and so on. Refer to the chart below.

CHANNEL MODE	UNIT 1 ADDRESS	UNIT 2 ADDRESS	UNIT 3 ADDRESS	UNIT 4 ADDRESS
1 CH	1	2	3	4
2 CH	1	3	5	7
3 CH	1	4	7	10
4 CH	1	5	9	13
5 CH	1	6	11	16

DMX TRAITS

CHANNEL					DMX VALUES	FUNCTION
1 CH	2 CH	3 CH	4 CH	5CH		
1	1	1	1	1	000 - 255	Master Dimmer , 0% to 100%
	2	2	2	2	000 - 255	Dimmer Fine , 0% to 100%
						Shutter and Strobing
					000 - 031	Shutter Closed (LED Off)
					032 - 063	Shutter Open (LED On)
					064 - 095	Strobe Effect, slow to fast
		3	3	3	096 - 127	Shutter Open (LED On)
					128 - 159	Pulse Effect in Sequences
					160 - 191	Shutter Open (LED On)
					192 - 223	Random Strobe Effect, slow to fast
					224 - 255	Shutter Open (LED On)
						Dim Modes
					000 - 020	Standard
					021 - 040	Stage
					041 - 060	TV
			4	4	061 - 080	Architectural
					081 - 100	Theatre
					101 - 120	Stage 2
					121 - 140	Dimmer Speed, fast to slow, 0.1s to 10s
					141 - 255	Default to unit setting
						Dim Curves
					000 - 020	Square
					021 - 040	Linear
					041 - 060	Inv. Squa
					061 - 080	S. Curve
				5	081 - 255	No Function

DIMMER SPEED CHART

DMX VALUES	DELAY AND MENU DISPLAY TIME
121	0.1s
122	0.2s
123	0.3s
124	0.4s
125	0.5s
126	0.6s
127	0.7s
128	0.8s
129	0.9s
130	1.0s
131	1.5s
132	2.0s
133	3.0s
134	4.0s
135	5.0s
136	6.0s
137	7.0s
138	8.0s
139	9.0s
140	10.0s

SYSTEM MENU

DMX Address	001 - 512		Set DMX address
DMX CH Mode	1Ch		Select DMX channel mode
	2Ch		
	3Ch		
	4Ch		
	5Ch		
No DMX State	Hold Last		Set fixture action when DMX signal is lost
	Blackout		
	Manual		
Dim Modes	Standard		Select dimming curve modes and set dim speed
	Stage		
	TV		
	Architectural		
	Theatre		
	Stage 2		
	Dim Speed	0.1s - 10s	
LED Refresh Rate	900 Hz, 1000 Hz, 1100 Hz, 1200 Hz , 1300 Hz, 1400 Hz, 1500 Hz, 6000 Hz, 25000 Hz		Set LED refresh frequency
Dim Curve	Square		Select dim curve
	Linear		
	Inv. Squa		
	S Curve		
Tungsten	On / Off		Enable or disable tungsten effect
Display	Backlight	On / Off	Enable or disable backlighting
	Display Lock	On / Off	Lock or unlock the display screen
Service	Passcode = 050	Effect Adjust (Calibration) - WW LED 000 - 255	Calibration
		Factory Restore Passcode = 011	Restore to factory settings
Manual Control	WW LED	000 - 255	Adjust WW LED intensity
	Strobe	000 - 255	Adjust strobe rate

CONTINUED ON NEXT PAGE

SYSTEM MENU

Information	Fixture Life Time	Power On Time xxxxxx Hours	Total running time, non resettable
		P-On Time-R xxxxxx Hours	Running time, reset- table
		P-On Time Reset Passcode = 050	Reset running time
	Total LED Time	LED On Time xxxxxx Hours	Total LED On running time, non resettable
		LED On Time-R xxxxxx Hours	LED On running time, resettable
		LED Time Reset Passcode = 050	Reset LED On time
	Fixture Temps	Current xxx	Current temperature
		Max Resettable xxx	Max temperature reached ⁽¹⁾ , resettable
		Max Not Resettable xxx	Max temperature reached ⁽²⁾ , non reset- table
		Rst Temp History Passcode = 050	Reset temperature
	DMX Values	WW LED 000 - 255	Current value of select- ed DMX channel
		Strobe 000 - 255	
	Software Version	x.x	Current software ver- sion

SYSTEM MENU NOTES:

1. In *Information > Fixture Temps > Max Resettable*, the displayed temperature is the maximum temperature recorded since the last temperature reset.
2. In *Information > Fixture Temps > Max Not Resettable*, the displayed temperature is the all time maximum temperature that has been recorded during the fixture's lifetime.

OPERATING INSTRUCTIONS

DMX Address - DMX Address Setting.

1. Press either the MENU, UP, or DOWN buttons until “DMX Address” is displayed, then press ENTER.
2. The current DMX address will be displayed. Press the UP or DOWN buttons to find your desired DMX address and press ENTER to confirm your setting. Press the MENU button to exit without any changes.

DMX CH Mode - This will let you select your desired DMX channel mode.

1. Press either the MENU, UP, or DOWN buttons until “DMX CH Mode” is displayed, then press ENTER.
2. The current DMX channel mode will now be displayed. Press the UP or DOWN buttons to find your desired DMX channel mode and press ENTER to confirm your setting. Press the MENU button to exit without any changes.

No DMX State - Select the operating mode that the fixture will revert to in the event that the DMX signal is lost or interrupted.

1. Press either the MENU, UP, or DOWN buttons until “No DMX State” is displayed, then press ENTER.
2. Press the UP or DOWN buttons to find the operating mode you would like the unit to automatically revert to if the DMX signal is lost or interrupted.
 - *Hold Last* - The unit will hold the last received DMX settings.
 - *Blackout* - The unit will automatically go into standby mode.
 - *Manual* - The unit will default to the settings selected under the “Manual Control” function.
3. Press ENTER to confirm.

Dim Modes - This will let select your desired dimmer mode and adjust the dimmer speed. The dimmer speed adjustment will affect all dimmer modes.

1. Press either the MENU, UP, or DOWN buttons until “Dim Modes” is displayed, then press ENTER.
2. 1 of 6 dimmer curves or dim speed will be displayed: “Standard”, “Stage”, “TV”, “Architectural”, “Theatre”, or “Stage 2”. See the ***Dimmer Mode Chart*** section of this manual for more info.
3. Press the UP or DOWN buttons to find your desired dimmer curve, then press ENTER to confirm.

LED Refresh Rate - Adjust the dimming frequency.

1. Press either the MENU, UP, or DOWN buttons until “LED Refresh Rate” is displayed, then press ENTER.
2. Use the UP or DOWN buttons to adjust the dimming frequency. Selectable options include: 900hz, 1000hz, 1100hz, 1200hz, 1300hz, 1400hz, 1500hz, 6000hz, and 25000hz.
3. Press ENTER to confirm.

Dim Curve - Select the dim curve.

1. Press either the MENU, UP, or DOWN buttons until “Dim Curve” is displayed, then press ENTER.
2. Use the UP or DOWN buttons to scroll through the 4 selectable options: Square, Linear, Inverse Square, and S-Curve.
3. Press ENTER to confirm.

OPERATING INSTRUCTIONS

Tungsten - This effect simulates the use of a tungsten filament light.

1. Press either the MENU, UP, or DOWN buttons until “Tungsten” is displayed, then press ENTER.
2. Use the UP or DOWN buttons to toggle between “ON” and “OFF”. “ON” will activate this effect, and “OFF” will deactivate it.
3. Press ENTER to confirm your selection.

Display - This submenu controls the timeout of display screen locking and illumination.

1. Press either the MENU, UP, or DOWN buttons until “Display” is displayed, then press ENTER.
2. Use the UP or DOWN buttons to switch between “Backlight” and “Display Lock”. Press the ENTER to select the setting you would like to adjust.
3. Use the UP or DOWN buttons to toggle between “ON” and “OFF” for each function.
 - *Backlight* - “ON” will keep the display on at all times, and “OFF” will have the display turn off after 20 seconds of inactivity. To illuminate the display screen again, simply press any of the 4 buttons.
 - *Display Lock* - “OFF” will leave the display control unlocked at all times, and “ON” will lock the display controls after 30 seconds of inactivity. To unlock the display, press and hold any of the 4 buttons for at least 5 seconds.
4. Press the ENTER button to confirm.

Service - This menu is used to calibrate the fixture or reset it to factory default settings. The password is “011” to access this submenu. *NOTE: ONLY QUALIFIED TECHNICIANS SHOULD PERFORM THE CALIBRATION FUNCTION.*

1. Press either the MENU, UP, or DOWN buttons until “Service” is displayed, then press ENTER.
2. “Pass Code” and “xxx” will now be displayed. “xxx” represents the digits where the user should enter the passcode.
3. Use the UP and DOWN buttons to scroll to the number for each digit of the pass code, then press ENTER.
4. To reset the unit to the factory settings, press the UP or DOWN buttons until “Factory Restore” is displayed, then press ENTER.

Manual Control - This function will allow you to manually adjust the LED output intensity and strobe rate. *NOTE: The “No DMX State” setting MUST be set to “Manual” for this operational mode to work.*

1. Press either the MENU, UP, or DOWN buttons until “Manual Control” is displayed, then press ENTER.
2. Use the UP and DOWN buttons to switch between “WW LED” and “Strobe”. Press ENTER to select the function you would like to adjust.
3. Use the UP and DOWN buttons to adjust the values of the selected function.

Power On Time - With this function you are able to check the total number of hours that the fixture has been powered on for its entire lifetime. This value cannot be reset.

1. Press either the MENU, UP, or DOWN buttons until “Information” is displayed, then press ENTER.
2. Press the UP or DOWN buttons until “Fixture Life Time” is displayed, then press ENTER.
3. Press the UP or DOWN buttons until “Power On Time” is displayed, then press ENTER.
4. The total power ON running time of the fixture will now be displayed. Press the MENU button to exit.

OPERATING INSTRUCTIONS

P-On Time-R - With this function you are able to check the number of hours that the fixture has been powered on since the last reset. *Please note: This time value can be reset, so it may not be the same as the total power ON running time displayed under "POWER ON TIME".*

1. Press either the MENU, UP, or DOWN buttons until "Information" is displayed, then press ENTER.
2. Press the UP or DOWN buttons until "Fixture Life Time" is displayed, then press ENTER.
3. Press the UP or DOWN buttons until "P-On Time-R" is displayed, then press ENTER.
4. The power ON running time of the fixture will now be displayed. Press the MENU button to exit.

P-On Time Reset - With this function you can reset the current power ON running time that is displayed under "P-ON TIME-R".

1. Press the either the MENU, UP, or DOWN buttons until "Information" is displayed, then press ENTER.
2. Press the UP or DOWN buttons until "Fixture Life Time" is displayed, then press ENTER.
3. Press the UP or DOWN buttons until "P-On Time Reset" is displayed, then press ENTER.
4. Use the UP or DOWN buttons to set the pass code to "050" and press ENTER. The P-ON TIME-R will now be reset to "0".

LED On Time - With this function you are able to check the total number of hours that the LED has been powered on during the fixture's lifetime. This total LED On time can NOT be reset.

1. Press either the MENU, UP, or DOWN buttons until "Information" is displayed, then press ENTER.
2. Press the UP or DOWN buttons until "Total LED Time" is displayed, then press ENTER.
3. Press the UP or DOWN buttons until "LED On Time" is displayed, then press ENTER.
4. The total power ON running time of the fixture will now be displayed. Press the MENU button to exit.

LED On Time-R - With this function you are able to check the number of hours that the LED has been powered on since the last reset. *Please note: This time value can be reset, so it may not be the same as the total LED ON time displayed under "LED ON TIME."*

1. Press either the MENU, UP, or DOWN buttons until "Information" is displayed, then press ENTER.
2. Press the UP or DOWN buttons until "Total LED Time" is displayed, then press ENTER.
3. Press the UP or DOWN buttons until "LED On Time-R" is displayed, then press ENTER.
4. The power ON running time of the fixture will now be displayed. Press the MENU button to exit.

LED Time Reset - With this function you can reset the current LED ON time that is displayed under "LED ON TIME-R".

1. Press either the MENU, UP, or DOWN buttons until "Information" is displayed, then press ENTER.
2. Press the UP or DOWN buttons until "Total LED Time" is displayed, then press ENTER.
3. Press the UP or DOWN buttons until "LED Time Reset" is displayed, then press ENTER.
4. Use the UP or DOWN buttons to set the pass code to "050" and press ENTER. The LED ON TIME-R will now be reset to "0".

Current - With this function you can check the current temperature of the fixture.

1. Press either the MENU, UP, or DOWN buttons until "Information" is displayed, then press ENTER.
2. Press the UP or DOWN buttons until "Fixture Temps" is displayed, then press ENTER.
3. Press the UP or DOWN buttons until "Current" is displayed, then press ENTER.
4. The fixture's current temperature will now be displayed. Press the UP or DOWN buttons to switch between Fahrenheit and Celsius. Press the MENU button to exit.

OPERATING INSTRUCTIONS

Max Resettable - With this function you are able to check the highest temperature the fixture has reached since its last reset. This temperature can be reset, and therefore it may not be the same as the temperature displayed under “CURRENT” or “MAX NOT RESETTABLE”.

1. Press either the MENU, UP, or DOWN buttons until “Information” is displayed, then press ENTER.
2. Press the UP or DOWN buttons until “Fixture Temps” is displayed, then press ENTER.
3. Press the UP or DOWN buttons until “Max Resettable” is displayed, then press ENTER.
4. The fixture’s highest temperature will now be displayed. Press the UP or DOWN buttons to switch between Fahrenheit and Celsius. Press the MENU button to exit.

Max Not Resettable - With this function you are able to check the all-time highest temperature that the fixture has reached during its lifetime. This temperature can NOT be reset.

1. Press either the MENU, UP, or DOWN buttons until “Information” is displayed, then press ENTER.
2. Press the UP or DOWN buttons until “Fixture Temps” is displayed, then press ENTER.
3. Press the UP or DOWN buttons until “Max Not Resettable” is displayed, then press ENTER.
4. The fixture’s highest temperature will now be displayed. Press the UP or DOWN buttons to switch between Fahrenheit and Celsius. Press the MENU button to exit.

Rst Temp History - With this function you can reset the MAX RESETTABLE temperature. Please note: When the temperature is reset, the temperature that is displayed will revert to the CURRENT temperature.

1. Press either the MENU, UP, or DOWN buttons until “Information” is displayed, then press ENTER.
2. Press the UP or DOWN buttons until “Fixture Temps” is displayed, then press ENTER.
3. Press the UP or DOWN buttons until “Rst Temp History” is displayed, then press ENTER.
4. Use the UP or DOWN buttons to set the pass code to “050” and press ENTER. The MAX RESETTABLE temperature will now reset to the CURRENT fixture temperature.

DMX Values - With this function you can check the DMX values of each DMX channel that is currently in use.

1. Press the MENU button until “Information” is displayed, then press ENTER.
2. Press the UP or DOWN buttons until “DMX Values” is displayed, then press ENTER.
3. Use the UP or DOWN buttons to find the DMX channel you would like check and press ENTER. The current DMX value of that channel will now be displayed. Press the MENU button to exit.

Software Version - Use this function to display the Software version of the unit.

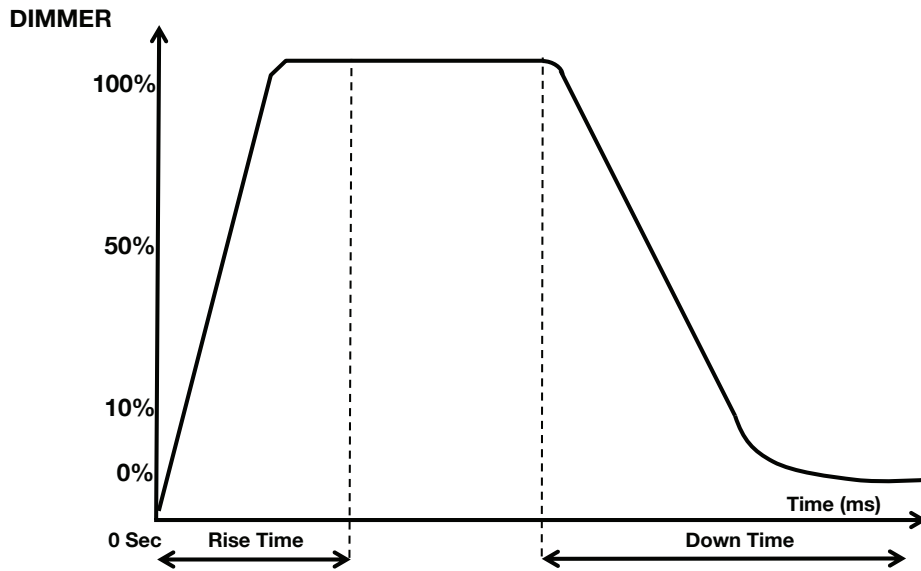
1. Press the MENU button until “Information” is displayed, then press ENTER.
2. Press the UP or DOWN buttons until “Software Version” is displayed and press ENTER.
3. The current software version will now be displayed.

MULTIPLE UNIT POWER LINKING

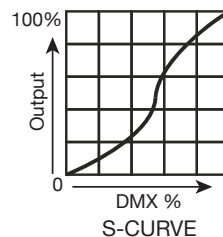
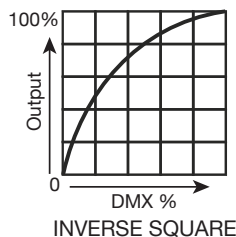
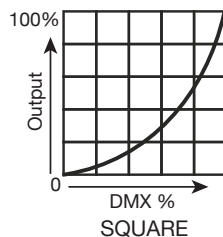
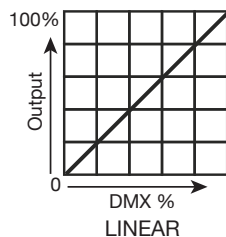
With this feature you can connect the fixtures to one another using the power cable input and output sockets.

USE CAUTION WHEN POWER LINKING FIXTURES OF OTHER MAKE AND MODEL TYPES, AS THE POWER CONSUMPTION OF OTHER MODEL FIXTURES MAY EXCEED THE MAX POWER OUTPUT ON THIS FIXTURE! CHECK SILK SCREEN FOR MAX AMPS.

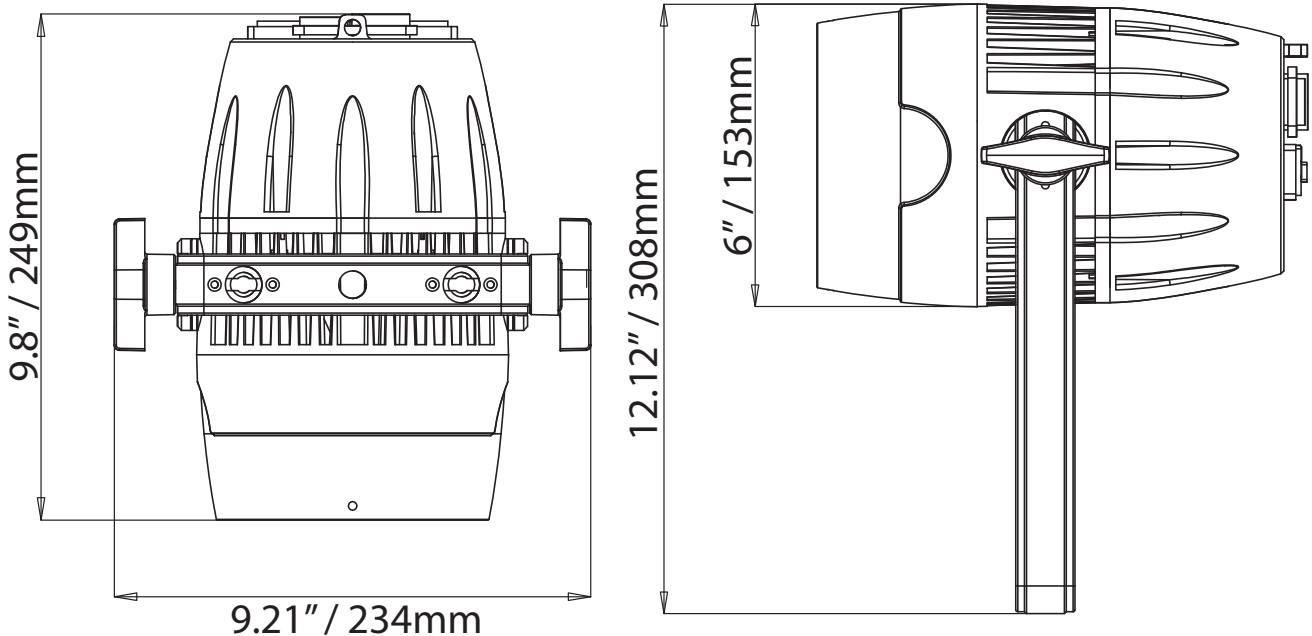
DIMMER MODE CHART



Dimming Curve Ramp Effect	0 sec Fade Time		1 sec Fade Time	
	Rise Time (ms)	Down Time (ms)	Rise Time (ms)	Down Time (ms)
Standard (default)	0	0	0	0
Stage	780	1100	1540	1660
TV	1180	1520	1860	1940
Architectural	1380	1730	2040	2120
Theatre	1580	1940	2230	2280
Stage 2	0	1100	0	1660



DIMENSIONAL DRAWINGS



TROUBLE SHOOTING

Listed below is a common problem the user may encounter, with possible solutions.

Unit not responding to DMX:

Check that the DMX cables are connected and wired correctly (pin 3 is “hot”; on some other DMX devices, pin 2 may be “hot”). Check that all cables are connected to the correct connectors, as the way in which the inputs and outputs are connected can affect the operation of the device(s).

CLEANING

Due to fog residue, smoke, and dust, cleaning the internal and external optical lenses must be carried out periodically to optimize light output.

- Use normal glass cleaner and a soft cloth to wipe down the outside casing.
- Periodically clean the external optics with glass cleaner and a soft cloth.
- Always be sure to dry all parts completely before plugging the unit back in.

Cleaning frequency depends on the environment in which the fixture operates (i.e. smoke, fog residue, dust, dew).

FCC STATEMENT

This device complies with Part 15 of the FCC Rules. Operation is subject to the following two conditions: (1) this device may not cause harmful interference, and (2) this device must accept any interference received, including interference that may cause undesired operation.

FCC RADIO FREQUENCY INTERFERENCE WARNINGS & INSTRUCTIONS

This product has been tested and found to comply with the limits as per Part 15 of the FCC Rules. These limits are designed to provide reasonable protection against harmful interference in a residential installation. This device uses and can radiate radio frequency energy and, if not installed and used in accordance with the included instructions, may cause harmful interference to radio communications. However, there is no guarantee that interference will not occur in a particular installation. If this device does cause harmful interference to radio or television reception, which can be determined by turning the device off and on, the user is encouraged to try to correct the interference by one or more of the following methods:

- Reorient or relocate the device.
- Increase the separation between the device and the receiver.
- Connect the device and the radio receiver to electrical outlets on two separate circuits.
- Consult the dealer or an experienced radio/TV technician for help.



SPECIFICATIONS

Model:	Encore Burst 100IP
Voltage:	100V ~ 240V / 50~60 Hz
LEDs:	1 x 125W Warm White COB CREE LED
Color Temperature:	2700K 1200K (Tungsten Mode)
IP Rating:	IP65
Working Position:	Any Safe Working Position
Power Draw:	115 W
Weight:	9.25 Lbs / 4.2 Kgs
Dimensions:	9.21" (L) x 9.8" (W) x 12.12" (H) 234mm (L) x 249mm (W) x 308mm (H)
DMX Channels:	4 DMX Modes: 1, 2, 3, 4, or 5 channels
Warranty:	2 Years (730 Days)

Please Note: Specifications and improvements in the design of this unit and this manual are subject to change without any prior written notice.

